



BRANDON RECTANGULAR FIRE PIT



TECHO-BLOC WARRANTY APPLIES TO BRANDON STONES
THE WARRANTY **DOES NOT APPLY** TO ACCESSORY KIT

NOTES

**Sold as a kit not pre-assembled.
Piedimonte caps included.**

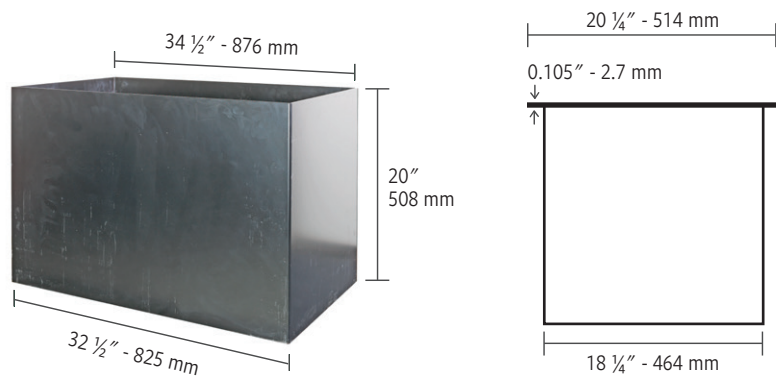
**Techo-Bloc is not responsible for any
damages to the firepit if it is not installed
with a sleeve or accessory kit.**

* For an authentic look, each color option is composed of a variety of darker & lighter tones. Natural ingredients such as granite are present within the recipe to allow for a range in tones, veining and textures from one stone to another.

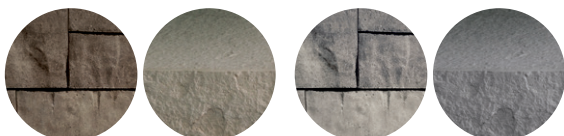
See 266 for more technical information.

Specifications per pallet	Imperial	Metric
Cubing	58 units	58 units
Approx. Weight	2 660 lbs	1 207 kg
Overall Height	19 ¹⁵ / ₁₆ in	507 mm
Overall Width	44 ¹ / ₂ in	1 130 mm
Overall Length	57 ³ / ₄ in	1 467 mm
Brandon 90 mm units	20 C units	
Brandon 90 mm corner units	30 units	
Cap units	8 units	

INSERT

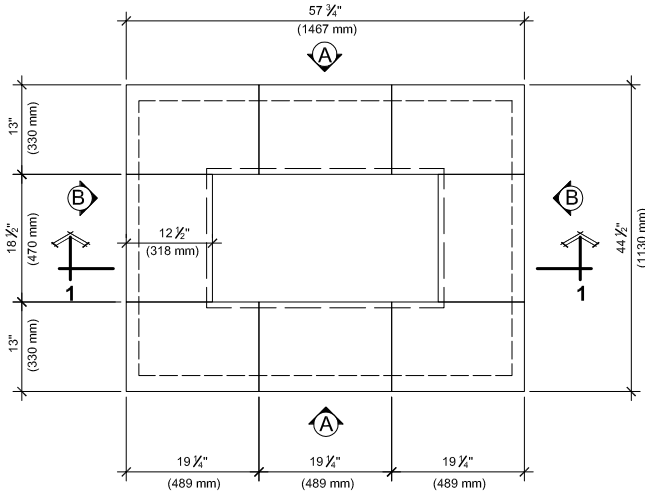


FIRE PIT	CAP	FIRE PIT	CAP
Chestnut Brown	Rock Garden Brown	Shale Grey	Riviera

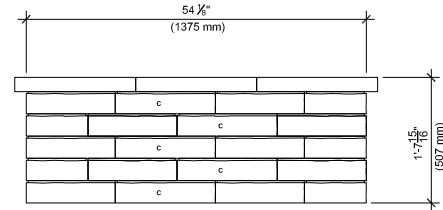


INSTALLATION GUIDE

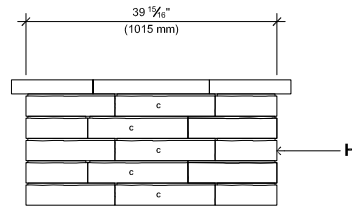
BRANDON RECTANGLE, FIRE PIT



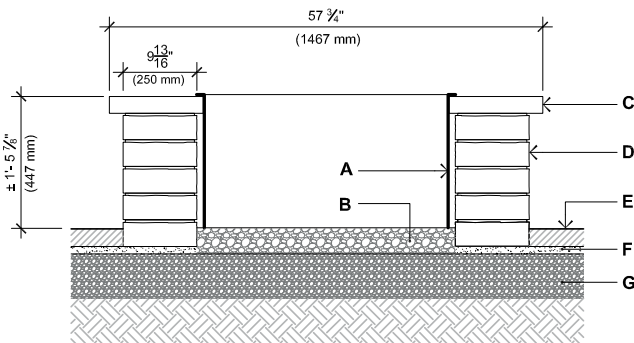
TOP



ELEVATION A



ELEVATION B



SECTION 1-1

- A. STEEL BOX INSERT
- B. CLEAN STONE $\frac{3}{4}$ " (20 mm), 4" (100 mm) THICK
- C. PIEDIMONTE CAP (PRE-CUT)
- D. BRANDON 90 mm BLOCK
- E. TECO-BLOC PAVERS OR SLABS
- F. SETTING BED 1" (25 mm)
- G. COMPACTED GRANULAR BASE 0- $\frac{3}{4}$ " (0-20 mm)
- H. BRANDON 90 mm CORNER BLOCK

QUANTITY OF MATERIALS REQUIRED

- Piedimonte cap: 8
- Brandon 90 mm block **C** : 20
- Brandon 90 mm corner block: 30

NOTE: Secure the blocks using a heat resistant concrete adhesive. The installer must ensure that the installation and use of the fire pit comply with local regulations and code requirements.

Consult our Installation Guide in our website for a detail step by step installation.

PLEASE REFER TO P.4 FOR THE CORRECT USE AND LIMITATIONS OF PROVIDED TECHNICAL INFORMATION.



BRANDON SQUARE FIRE PIT



TECHO-BLOC WARRANTY APPLIES TO BRANDON STONES
THE WARRANTY **DOES NOT APPLY** TO ACCESSORY KIT

NOTES

**Sold as a kit not pre-assembled.
Piedimonte caps included.**

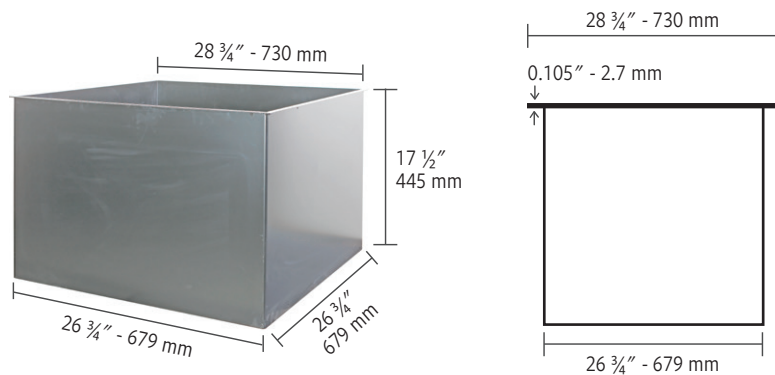
**Techo-Bloc is not responsible for any
damages to the firepit if it is not installed
with a sleeve or accessory kit.**

* For an authentic look, each color option is composed of a variety of darker & lighter tones. Natural ingredients such as granite are present within the recipe to allow for a range in tones, veining and textures from one stone to another.

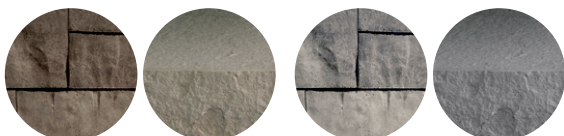
See 268 for more technical information.

Specifications per pallet	Imperial	Metric
Cubing	66 units	66 units
Approx. Weight	2 454 lbs	1 113 kg
Overall Height	19 ¹⁵ / ₁₆ in	507 mm
Overall Width	53 ¹ / ₂ in	1 359 mm
Overall Length	53 ¹ / ₂ in	1 359 mm
Brandon 90 mm units	20 A units	20 B units
Brandon 90 mm corner units	20 units	
Cap units	6 units	

INSERT

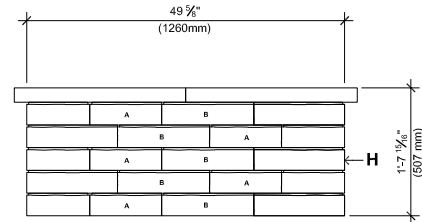
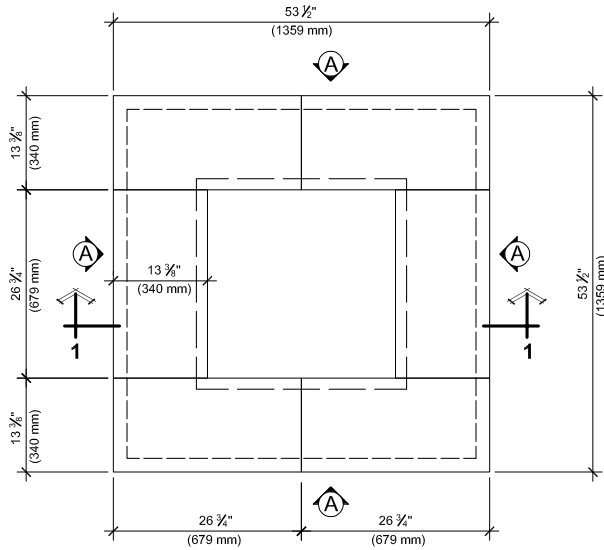


FIRE PIT	CAP	FIRE PIT	CAP
Chestnut Brown	Rock Garden Brown	Shale Grey	Riviera



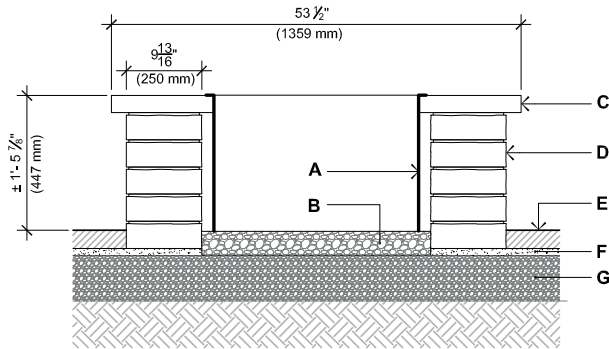
INSTALLATION GUIDE

BRANDON SQUARE, FIRE PIT



ELEVATION A

TOP



SECTION 1-1

- A. STEEL BOX INSERT
- B. CLEAN STONE 3/4" (20 mm), 4" (100 mm) THICK
- C. PIEDIMONTE CAP (PRE-CUT)
- D. BRANDON 90 mm BLOCK
- E. TECO-BLOC PAVERS OR SLABS
- F. SETTING BED 1" (25 mm)
- G. COMPACTED GRANULAR BASE 0-3/4" (0-20 mm)
- H. BRANDON 90 mm CORNER BLOCK

QUANTITY OF MATERIALS REQUIRED

- Piedimonte cap: 6
- Brandon 90 mm block: 20 **A**, 20 **B**
- Brandon 90 mm corner block: 20

NOTE: Secure the blocks using a heat resistant concrete adhesive. The installer must ensure that the installation and use of the fire pit comply with local regulations and code requirements.

Consult our Installation Guide in our website for a detail step by step installation.

PLEASE REFER TO P.4 FOR THE CORRECT USE AND LIMITATIONS OF PROVIDED TECHNICAL INFORMATION.