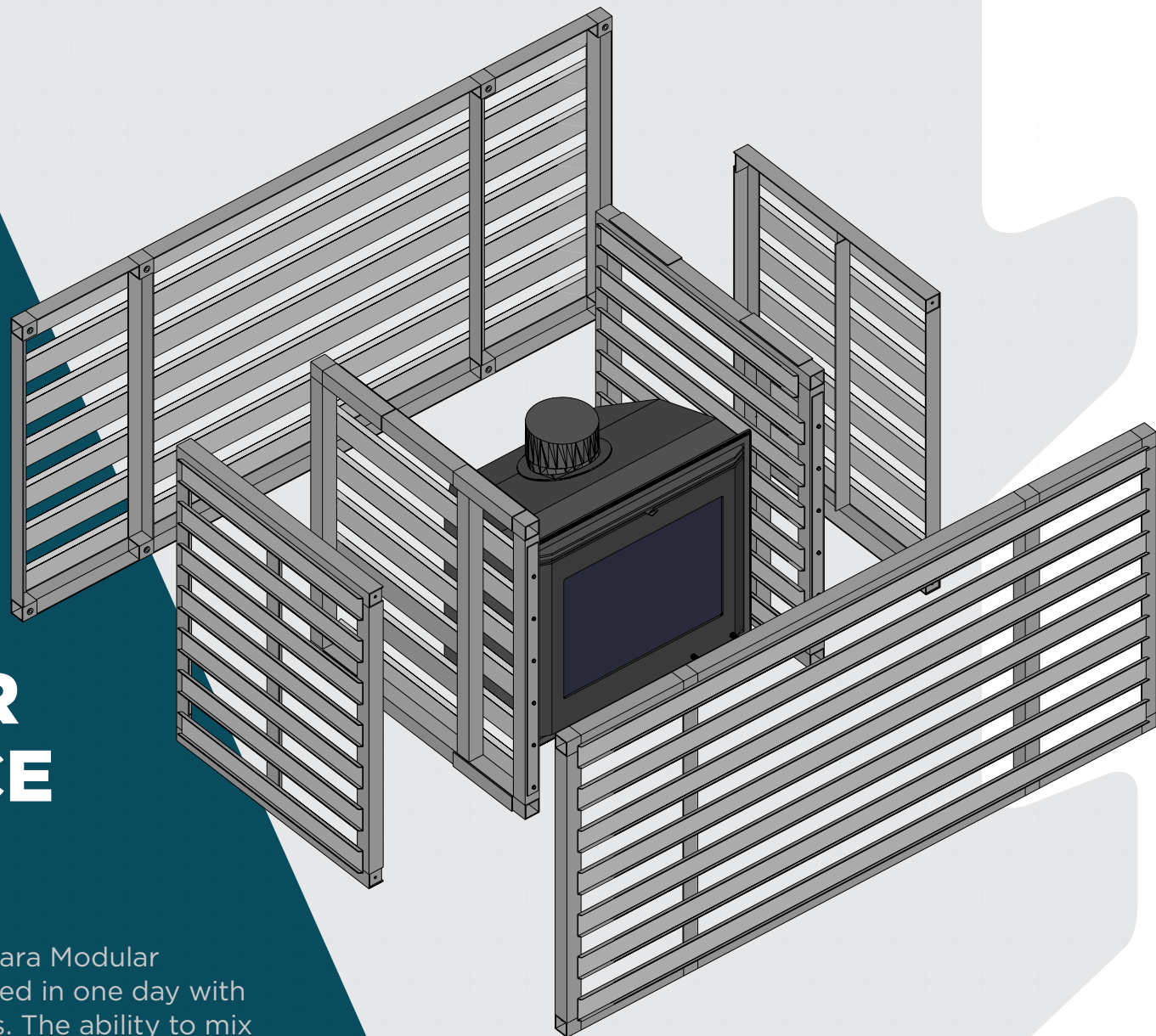


**U-CARA<sup>®</sup>**  
**MODULAR**  
**FIREPLACE**  
**SYSTEM**

U-Cara<sup>®</sup> is a registered trademark  
of Hengestone Holdings, Inc.

# U-CARA<sup>®</sup> MODULAR FIREPLACE SYSTEM

This truly revolutionary U-Cara Modular Fireplace is easily constructed in one day with only a handful of basic tools. The ability to mix and match several panel color and/or textures allows you to be creative while maintaining the theme of the overall project.



## Table of contents

<b>42" FIREPLACE (WOODBURNING) .....4</b>	Cabinet and Backer Block Base Connection ..... 37	<b>FRONTSIDE VIEW FIREPLACE (NATURAL GAS) ..... 58</b>
Cabinet Components ..... 4 - 5	End-Clad Assembly ..... 38	Optional Single Side View ..... 58 - 60
Mantel Components ..... 6 - 7	Insert Assembly ..... 39	Assembled ..... 61
Chimney Components ..... 8 - 9	Standard Fireplace Return Assembly ..... 40	<b>MODULE COMPONENTS ..... 62</b>
Oversized Return panel ..... 10	Front Panel Installation ..... 41	36" Fireplace Module Components (Woodburning) ..... 62
Oversized End-Clad ..... 11	Front Panel Modification ..... 42	42" Fireplace Module Components (Woodburning) ..... 63
Modular System Base ..... 12	Har & Flu Installation ..... 43	42" Fireplace Module Components (TV Mount) ..... 64
Backer Block Components ..... 13	Standard Mantle Installation ..... 44 - 45	Standard See-Thru Fireplace Module Components ..... 65
Backer Block Adjustable Base ..... 14 - 15	Standard Chimney Installation ..... 46 - 47	
Assembly ..... 16 - 23	<b>SEE-THRU FIREPLACE (NATURAL GAS) ..... 48</b>	
Wide Mantle Assembly ..... 24 - 27	Cabinet Components ..... 48 - 49	
Wide Chimney Assembly ..... 28 - 29	Standard End Clad Option ..... 50	
<b>36" FIREPLACE (WOODBURNING) ..... 30</b>	Oversized End Clad Option ..... 51	
Base Cabinet Components ..... 30	Backer Block Adjustable Base ..... 52 - 53	
Base Cabinet Assembly ..... 31	Assembly ..... 54 - 55	
Standard Mantle Components ..... 32 - 33	Oversized Return Panel ..... 56	
Standard Chimney Components ..... 34 - 35	Firepan Assembly ..... 57	
Backer Block Adjustable Base ..... 36		

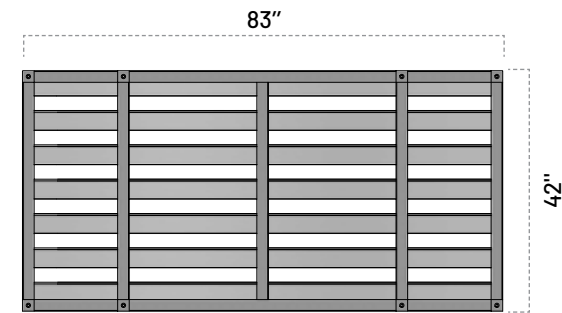
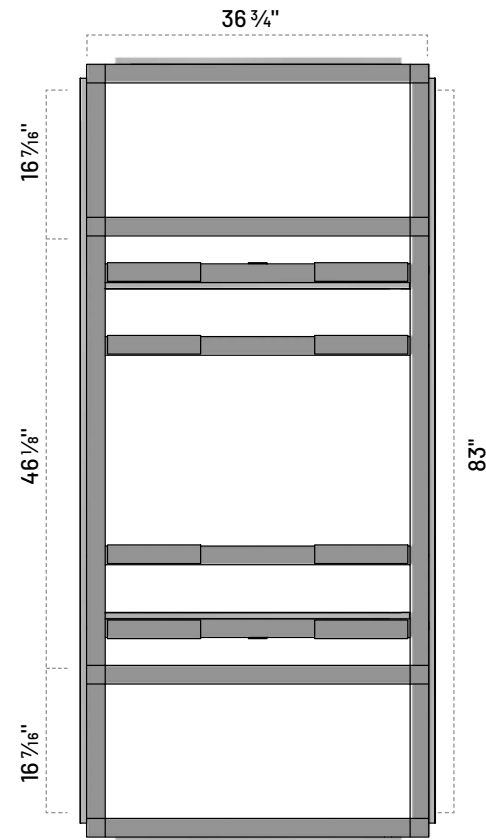
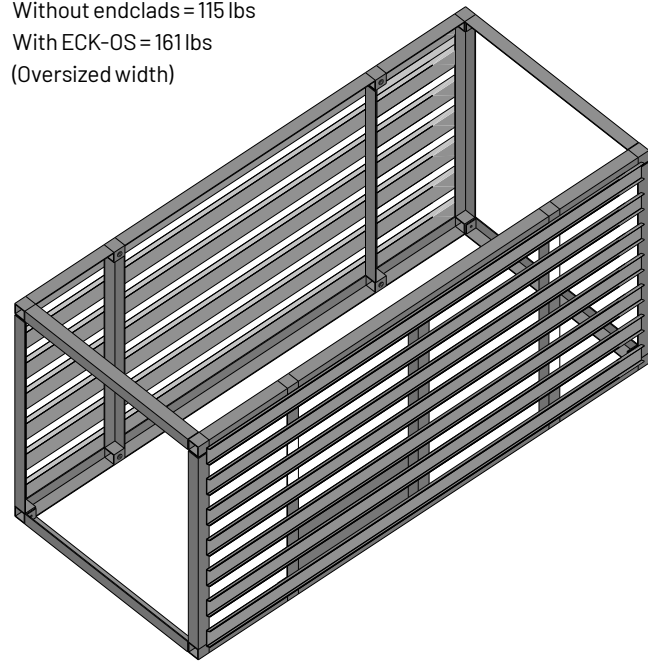
Visit the Unilock Hardscape Education Center for videos and other information.

# 42" Fireplace Woodburning CABINET COMPONENTS

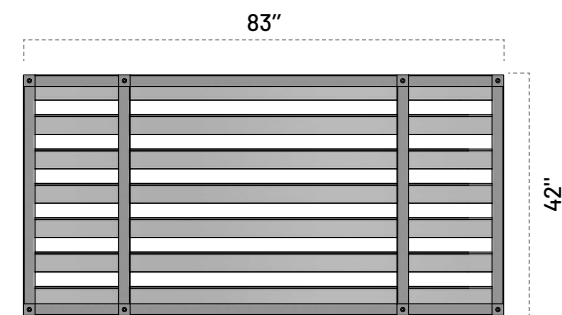
UL-FIR

**DIMENSIONS  
WITH FASCIA PANEL**  
41 3/4" x 88" (Outside To Outside)

**WEIGHT**  
Without endclads = 115 lbs  
With ECK-OS = 161 lbs  
(Oversized width)

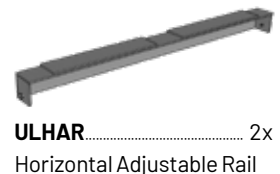
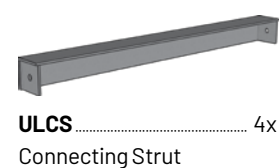
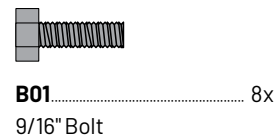


**UL-FIR-FP** ..... 1PC  
Fireplace Cabinet Front Panel



**UL-FIR-BP** ..... 1PC  
Fireplace Cabinet Back Panel

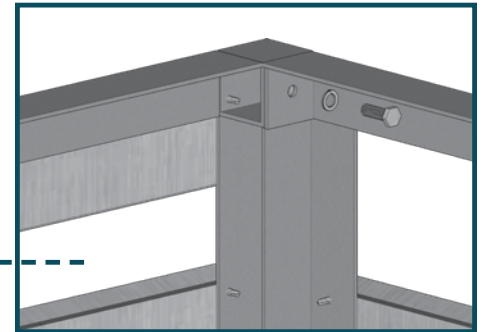
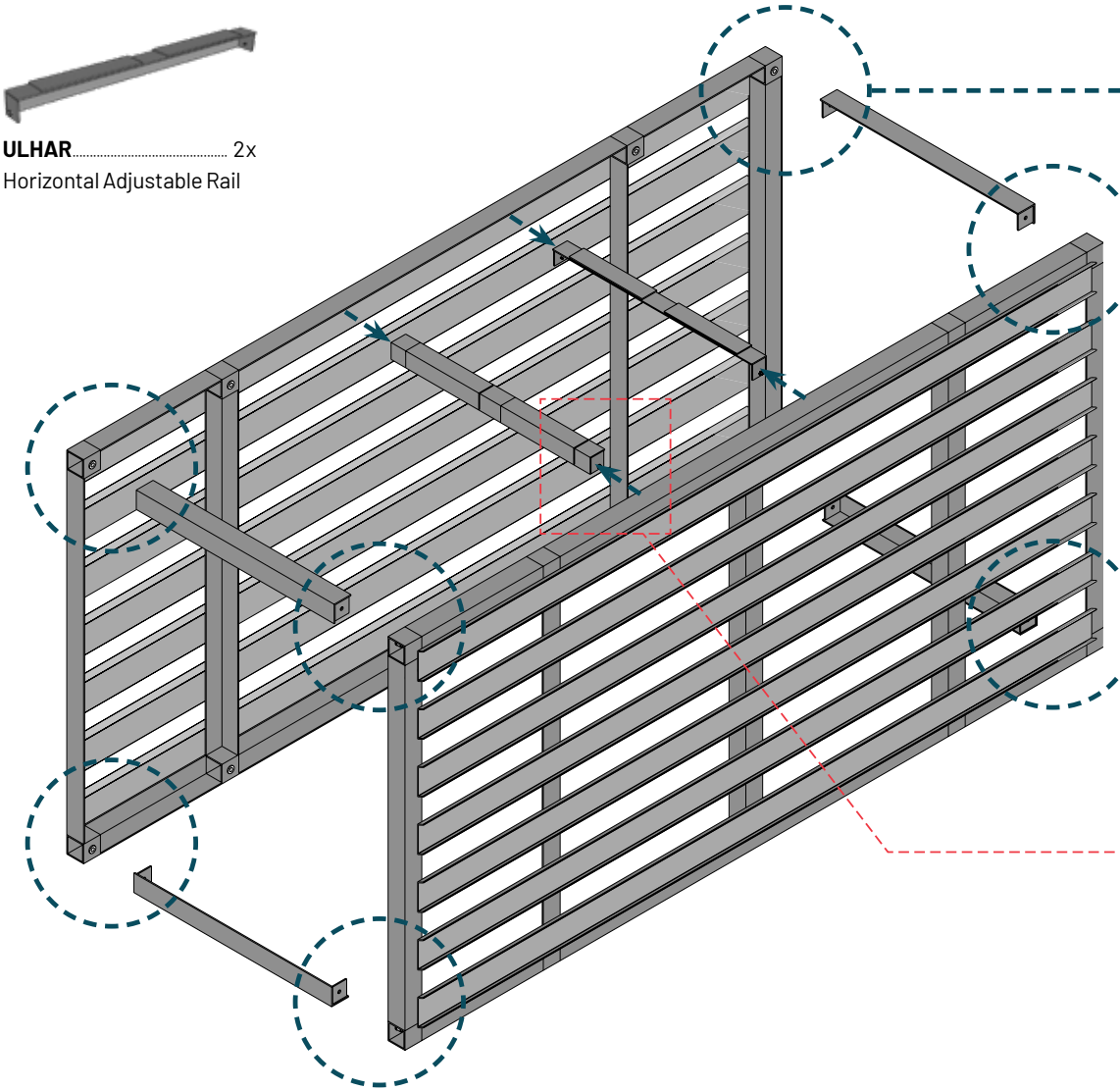
MUST BE BUILT WITH  
OVERSIZED WIDTH  
COMPONENTS



# 42" Fire Cabinet Woodburning CABINET COMPONENTS (CONTINUED)



**ULHAR** ..... 2x  
Horizontal Adjustable Rail

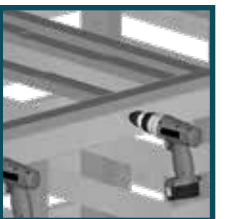


**NOTE:**  
Always use included  
lock washer with 9/16"  
bolt connection on each  
corner (8 total).

CLAMPS MAY BE USED TO  
SECURELY HOLD STRUTS IN  
PLACE WHILE CONNECTING



Braces are attached via  
tab and a self-tapping  
screw (ST02)



Connect with  
self-tapping screw  
(ST02)

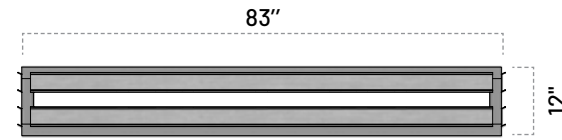
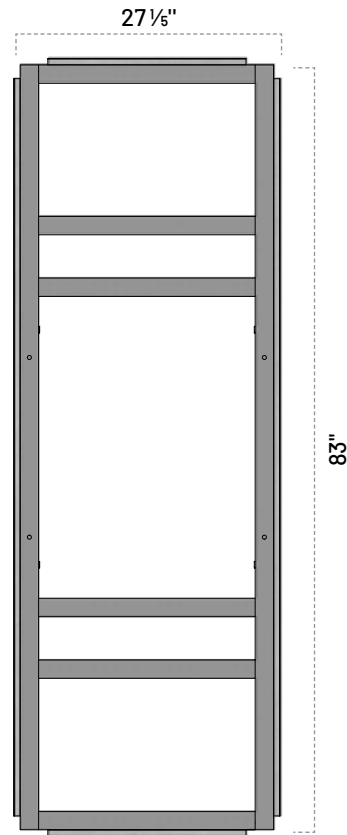
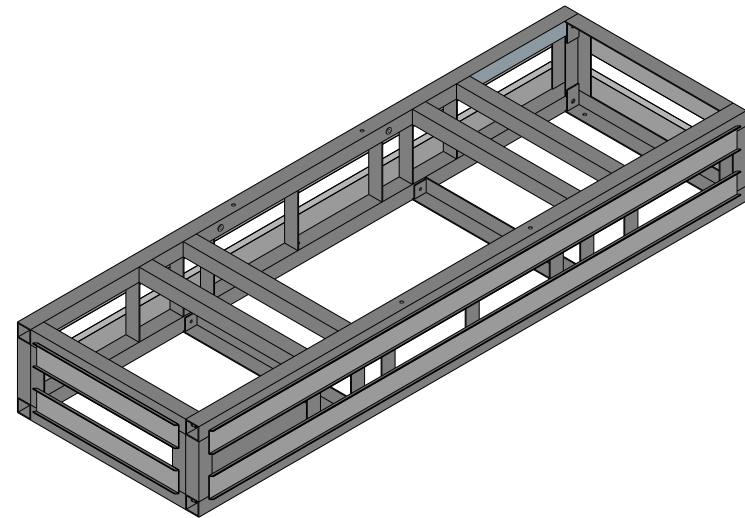
# 42" Fireplace *Woodburning* MANTLE COMPONENTS

UL-FIR-MW

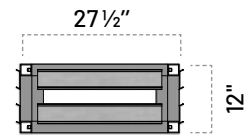
## OVERSIZED WIDTH COMPONENTS

**DIMENSIONS  
WITH FASCIA PANEL**  
32 1/2" x 88" x 12"  
(Outside To Outside)





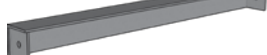
**WEIGHT**  
68 lbs



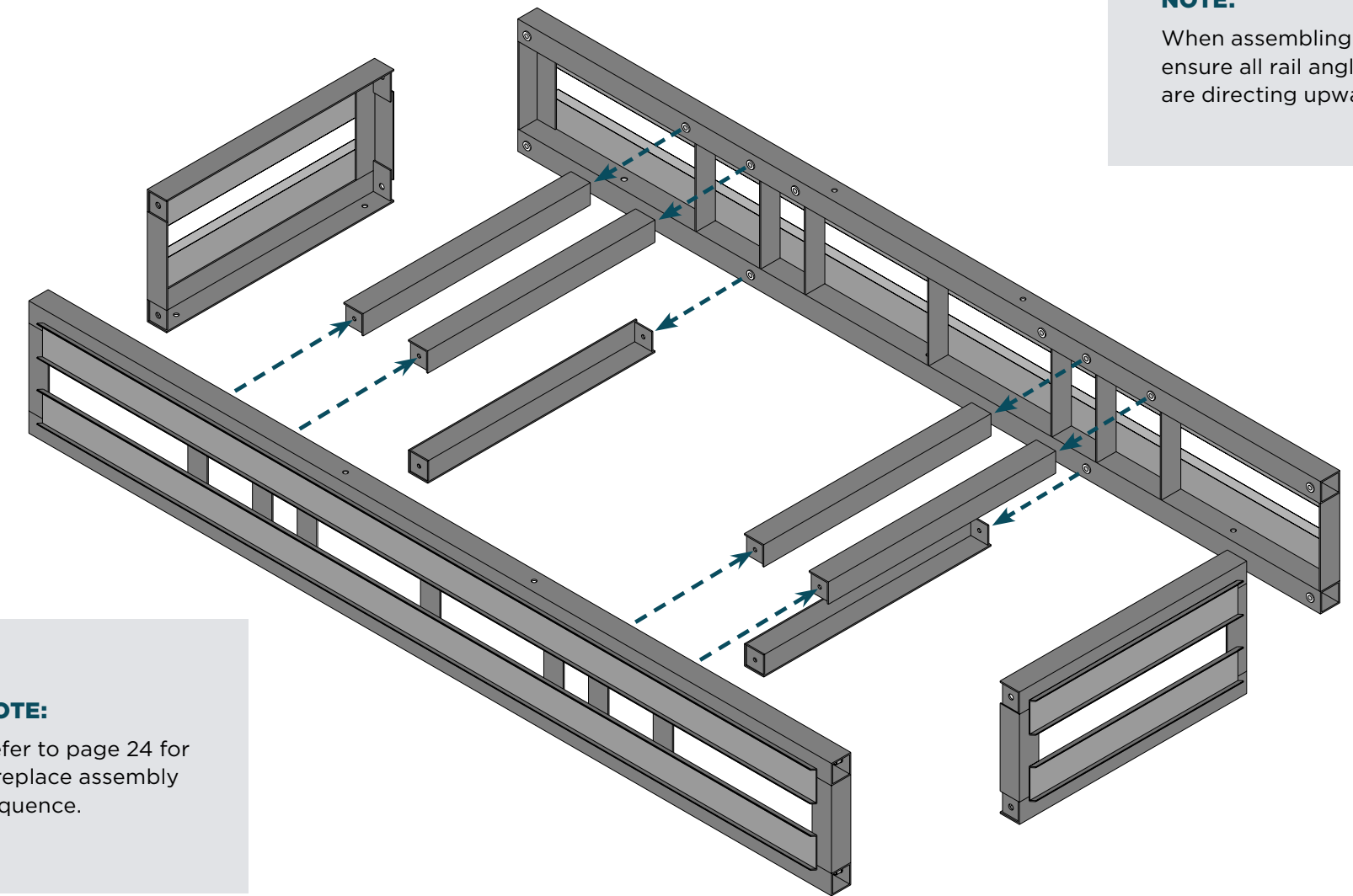
**UL-FIR-M-BP**..... 2 PC  
Base Module Front Panel



**UL-FIR-M-ECP**..... 2 PC  
Base Module End-Cap Panel

-   
**B03**..... 6x  
 3" Bolt & Locking Nut
-   
**B01**..... 22x  
 9/16" Bolt
-   
**ST02**..... 14x  
 1 1/4" Self-Tap Screw
-   
**LW01**..... 22x  
 3/8" Lock Washer
-   
**ULCS**..... 6x  
 Connecting Strut

# 42" Fire Cabinet *Woodburning* MANTLE COMPONENTS (CONTINUED)



**NOTE:**  
When assembling ensure all rail angles are directing upward.

**NOTE:**  
Refer to page 24 for Fireplace assembly sequence.

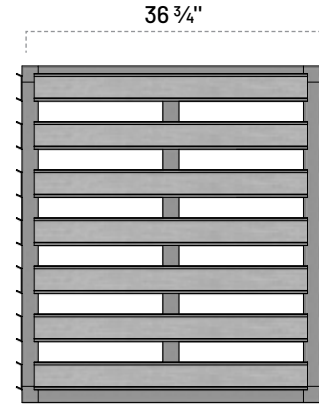
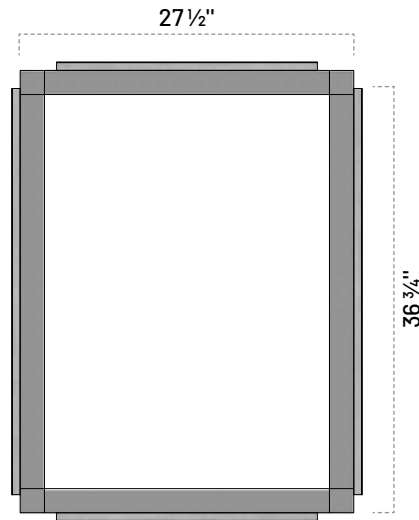
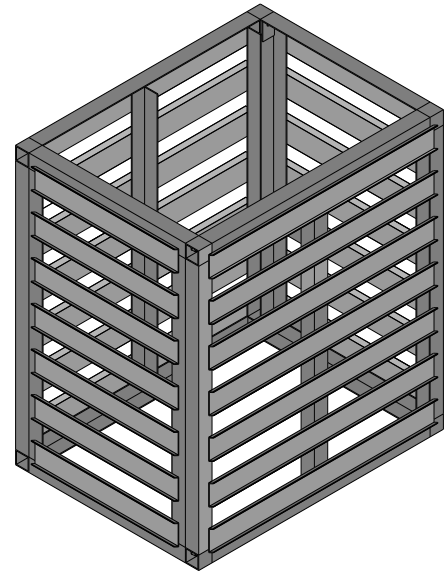


# 42" Fireplace Woodburning CHIMNEY COMPONENTS

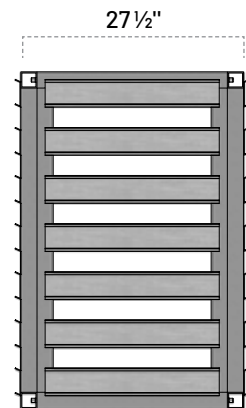
## OVERSIZED WIDTH COMPONENTS

**DIMENSIONS  
WITH FASCIA PANEL**  
32 1/2" x 41 3/4" (Outside To Outside)

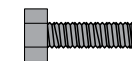
**WEIGHT**  
65 lbs



**UL-CCBP-OS** ..... 2 PC  
Chimney Front & Back Panel



**UL-ECP** ..... 2 PC  
Chimney End-Clad Panel



**B01** ..... 8x  
9/16" Bolt



**ST02** ..... 14x  
1 1/4" Self-Tap Screw



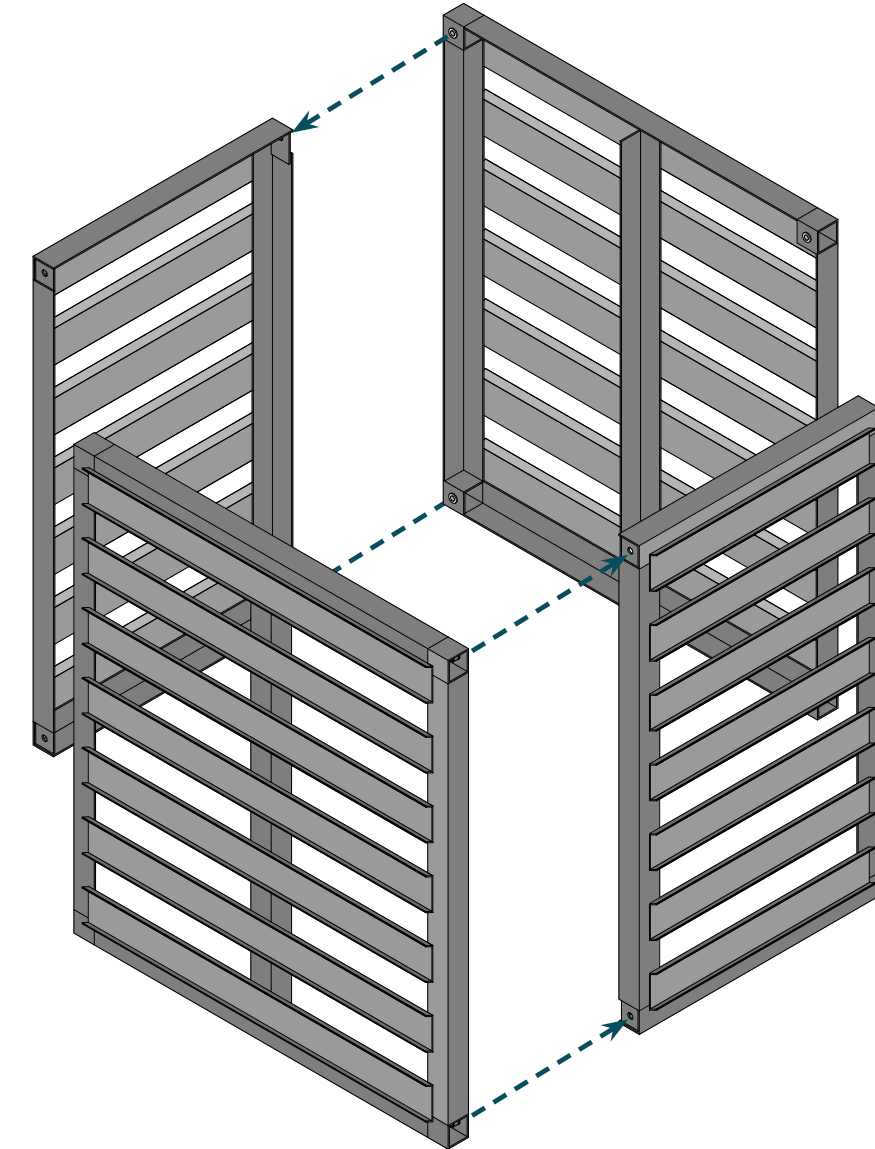
**LW01** ..... 8x  
3/8" Lock Washer



**ULHAR** ..... 4x  
Horizontal Adjustable Rail

UL-FIR-CHW

# 42" Fire Cabinet Woodburning CHIMNEY COMPONENTS (CONTINUED)

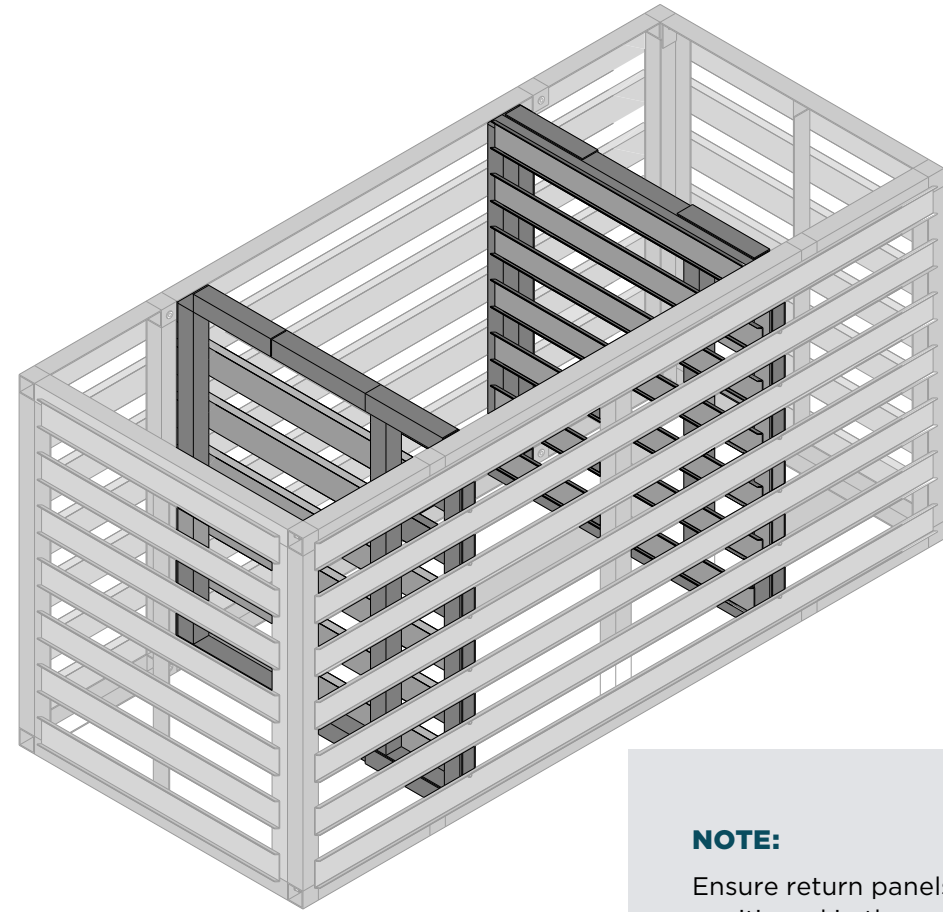


**NOTE:**

Refer to page 28 for  
Fireplace assembly  
sequence.

# 42" Fireplace Woodburning OVERSIZED RETURN PANEL

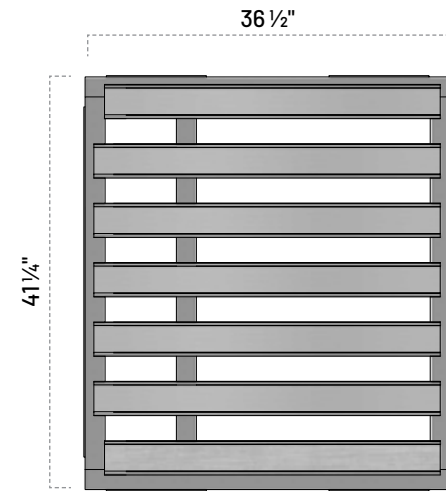
UL-FIR-RTN-OS



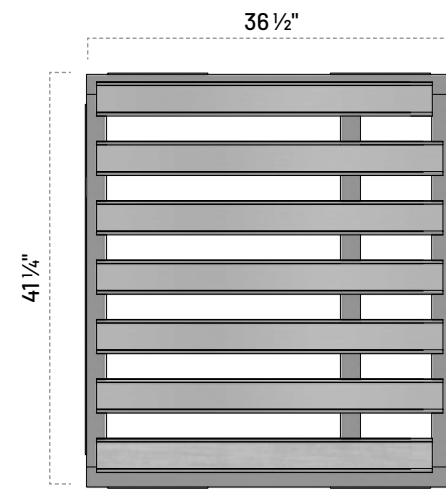
MUST BE BUILT WITH  
OVERSIZED WIDTH  
COMPONENTS

**NOTE:**

Ensure return panels are positioned in the correct orientation (right and left). Rails should be facing inward and mantle tube support should be facing frontside.



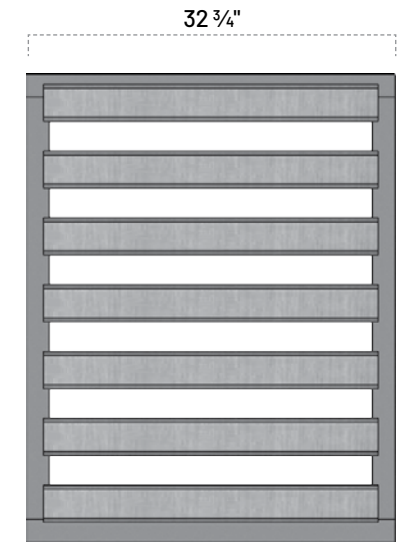
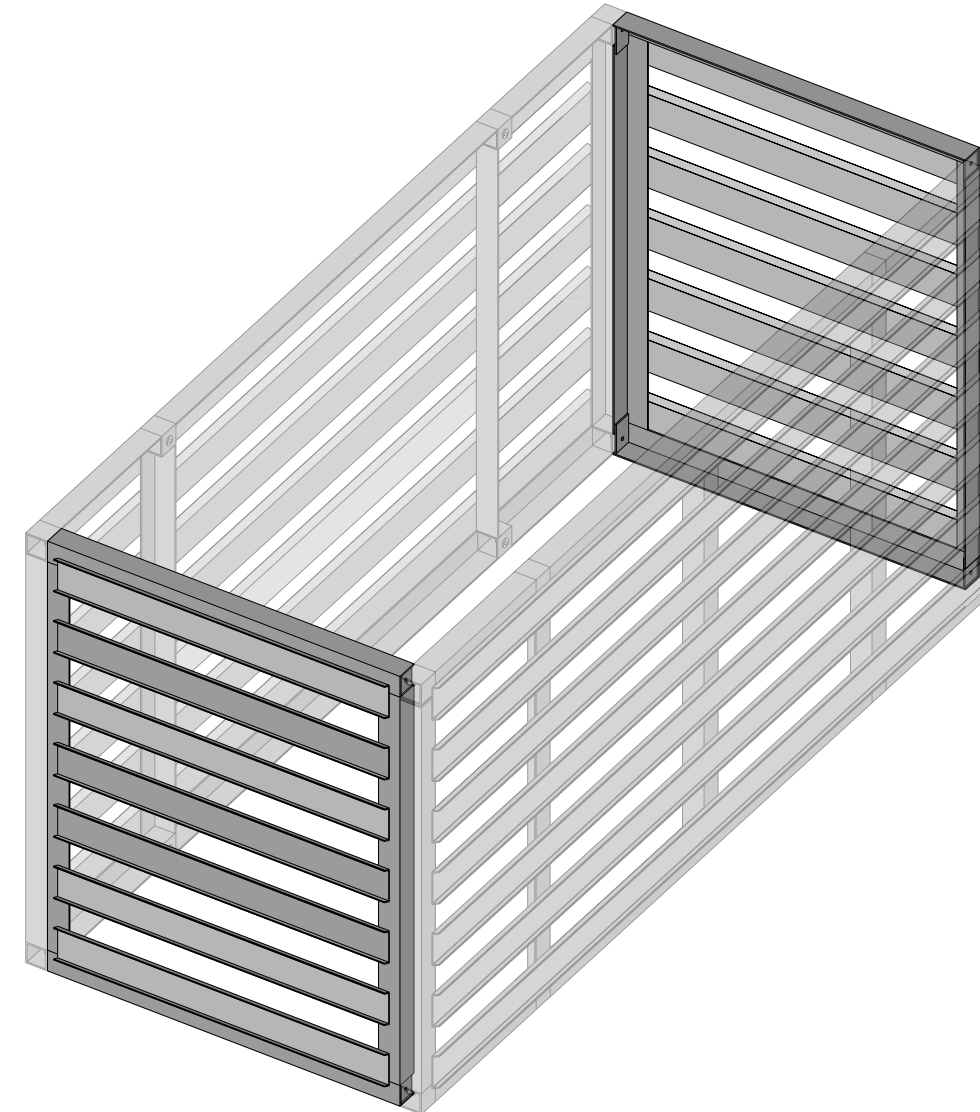
**UL-FIR-LFT-OS** ..... 1PC  
Left Return Panel



**UL-FIR-RTN-OS** ..... 1PC  
Right Return Panel

# 42" Fireplace Woodburning OVERSIZED END-CLAD

UL-ECK-OS

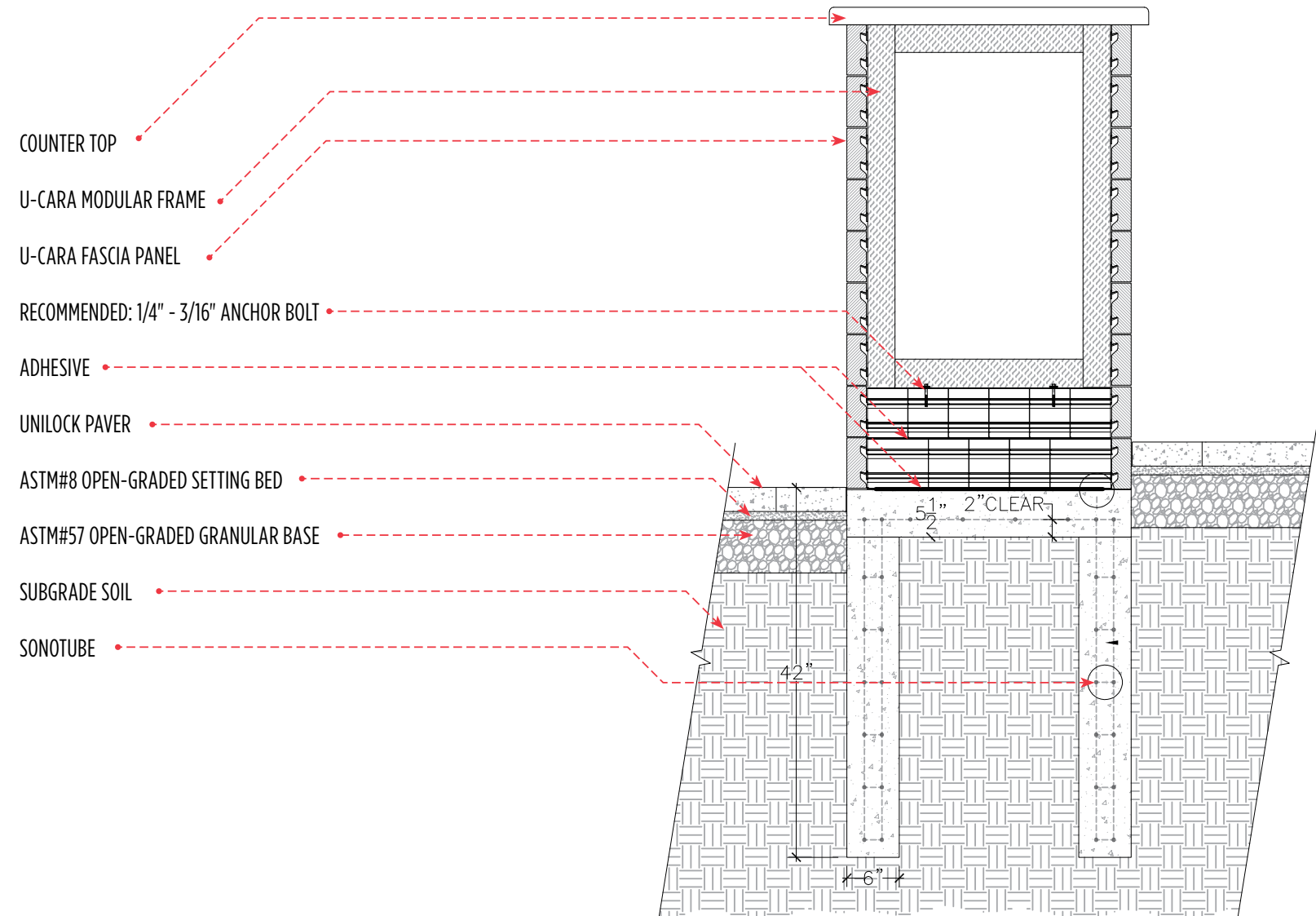


**UL-ECP-OS** ..... 2x  
End Clad Panel Oversized

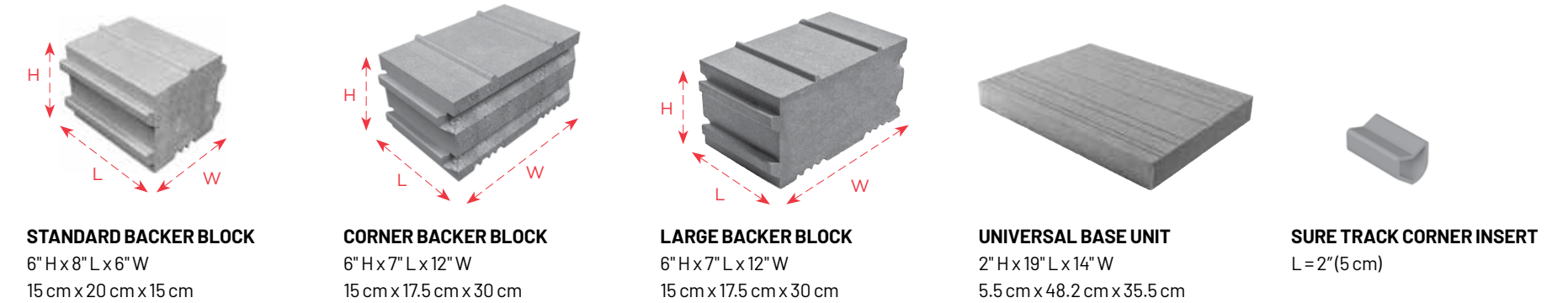
**NOTE:**

Remove connecting struts and replace with end-clad panel using existing hardware.

# Modular System Base TYPICAL

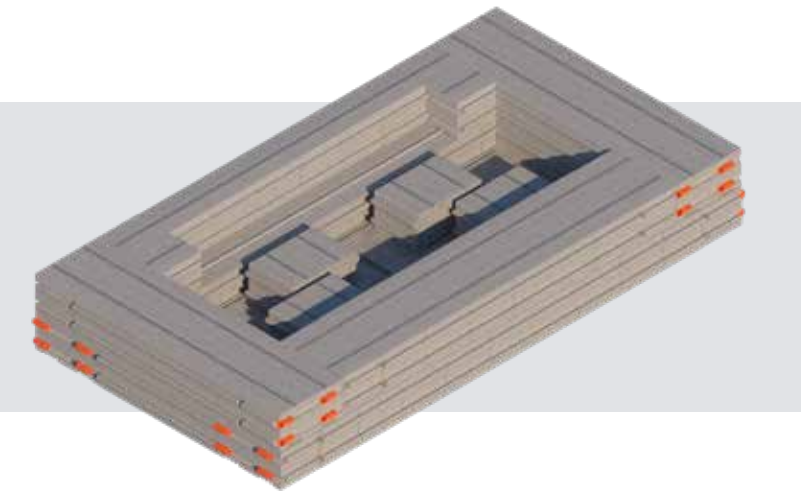


# 42" Fireplace BACKER BLOCK COMPONENTS



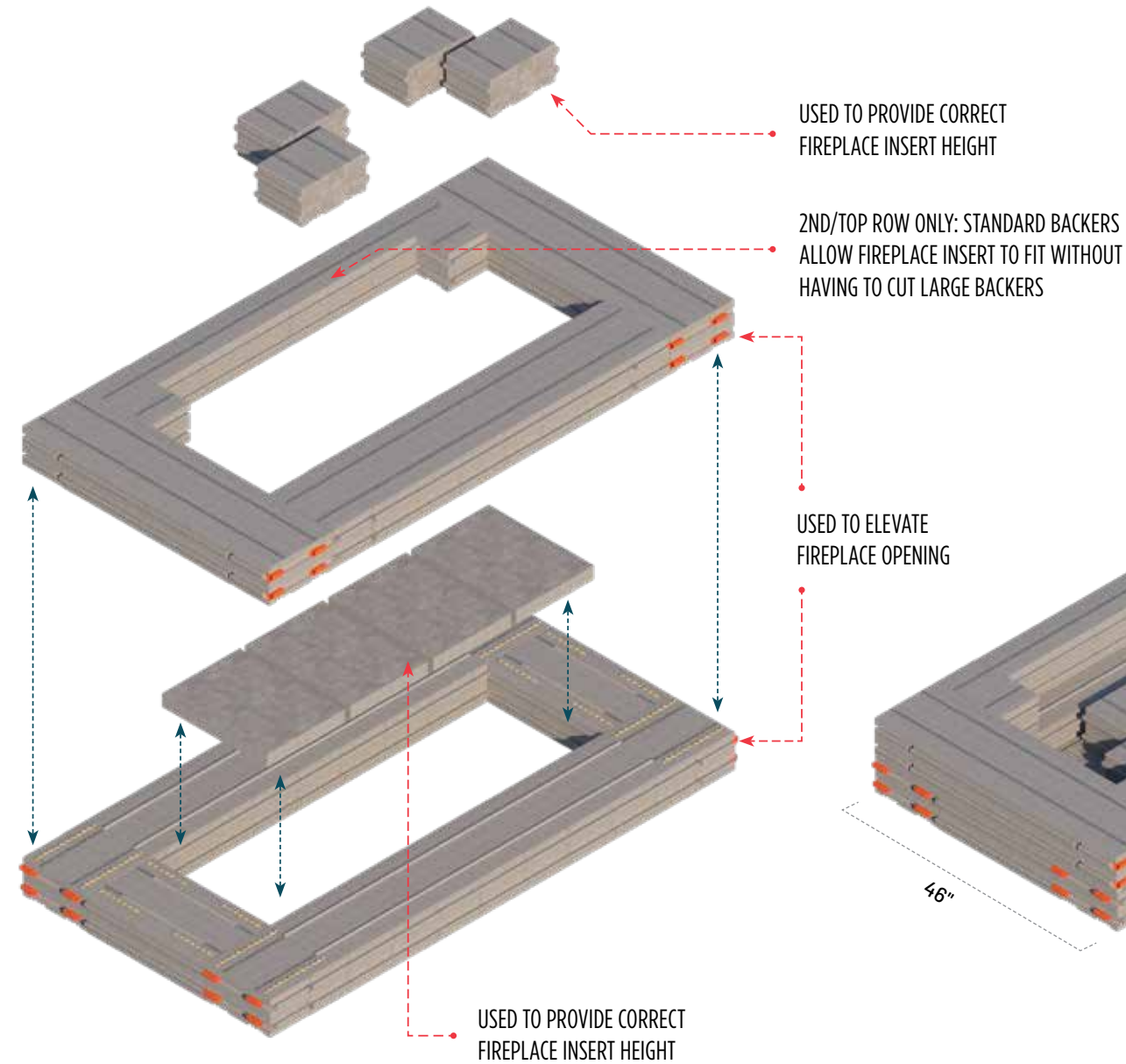
**NOTE:**

A Backer base is used to achieve desired firebox height and in some builds, add an attached hearth. Fireplace Cabinet is 42" tall and each row of Backer blocks will add an additional 6" of height.





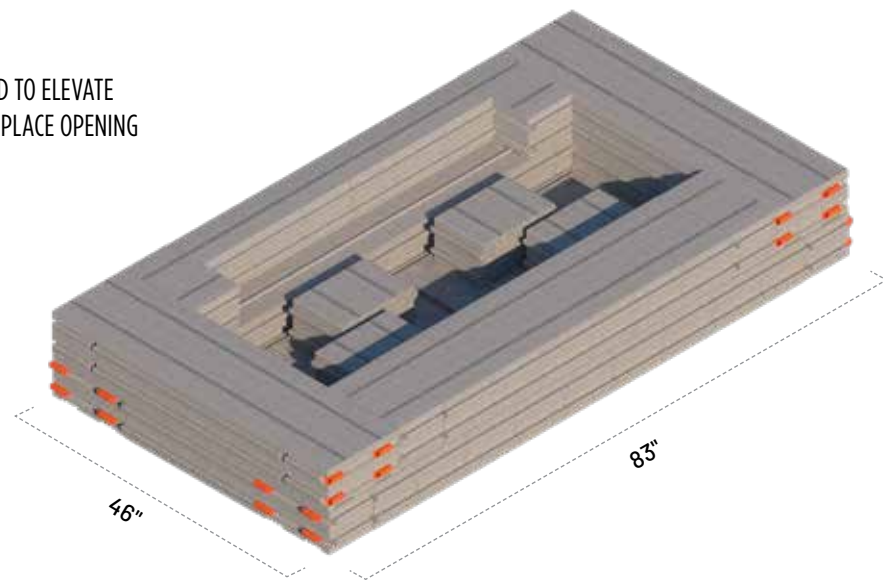
## 42" Fireplace *Woodburning* BACKER BLOCK ADJUSTABLE BASE



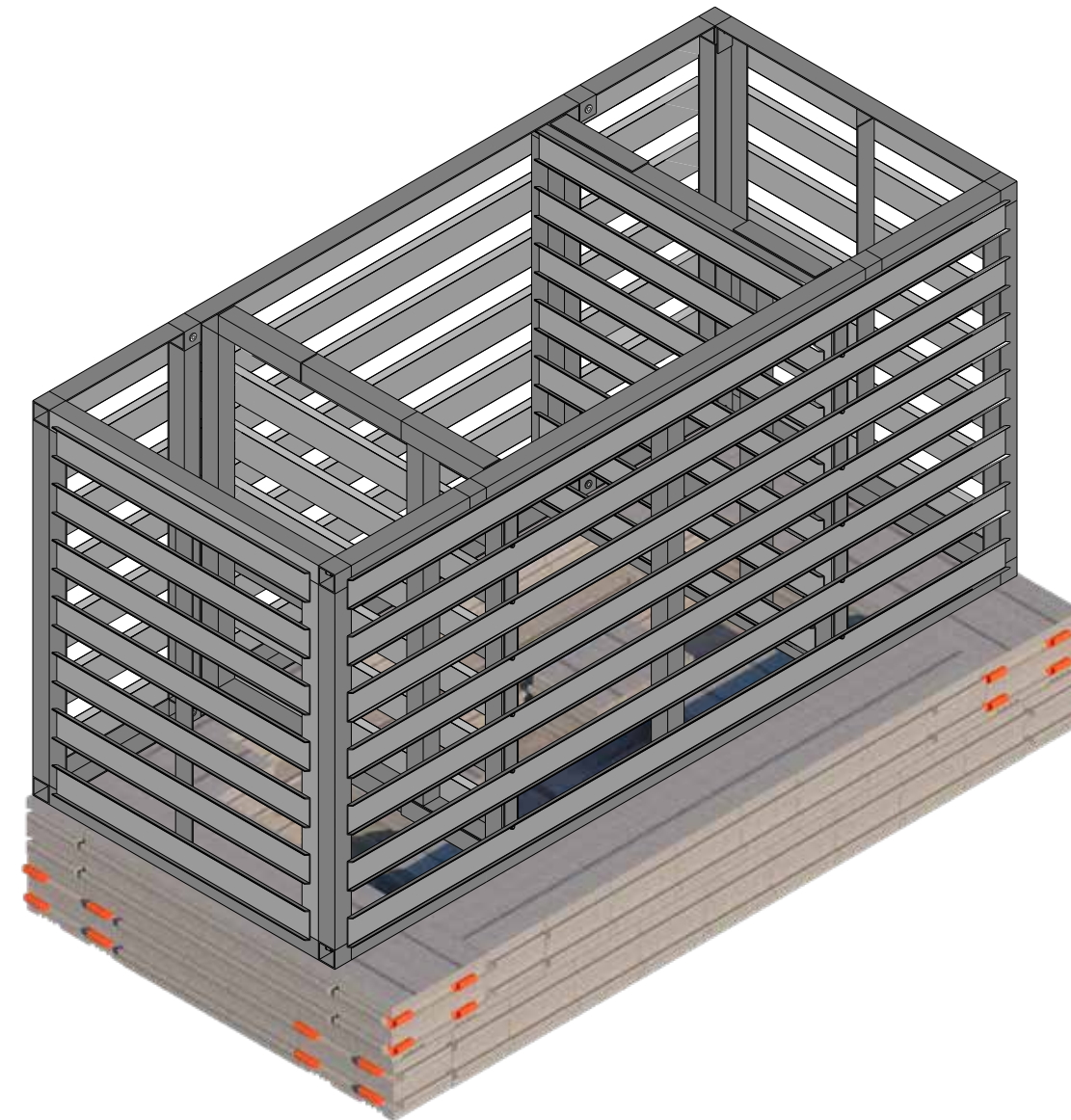
**NOTE:**

This should be constructed on top of poured in place concrete pad (similar to page 12).

**FINISHED DIMENSIONS**  
88" x 51" (With panels)



## 42" Fire Cabinet *Woodburning* BACKER BLOCK ADJUSTABLE BASE (CONTINUED)

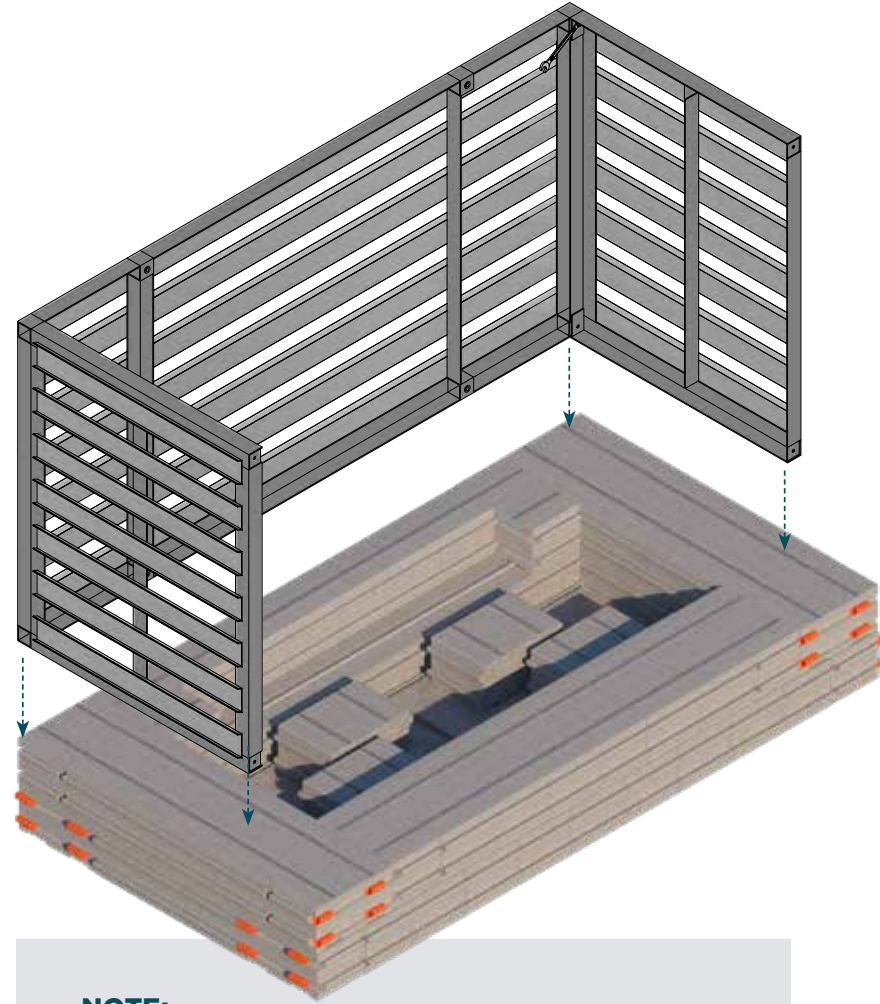


**NOTE:**

This layout includes a hearth. If no hearth is desired, width can be shortened by 9 1/4" to be flush with cabinet.

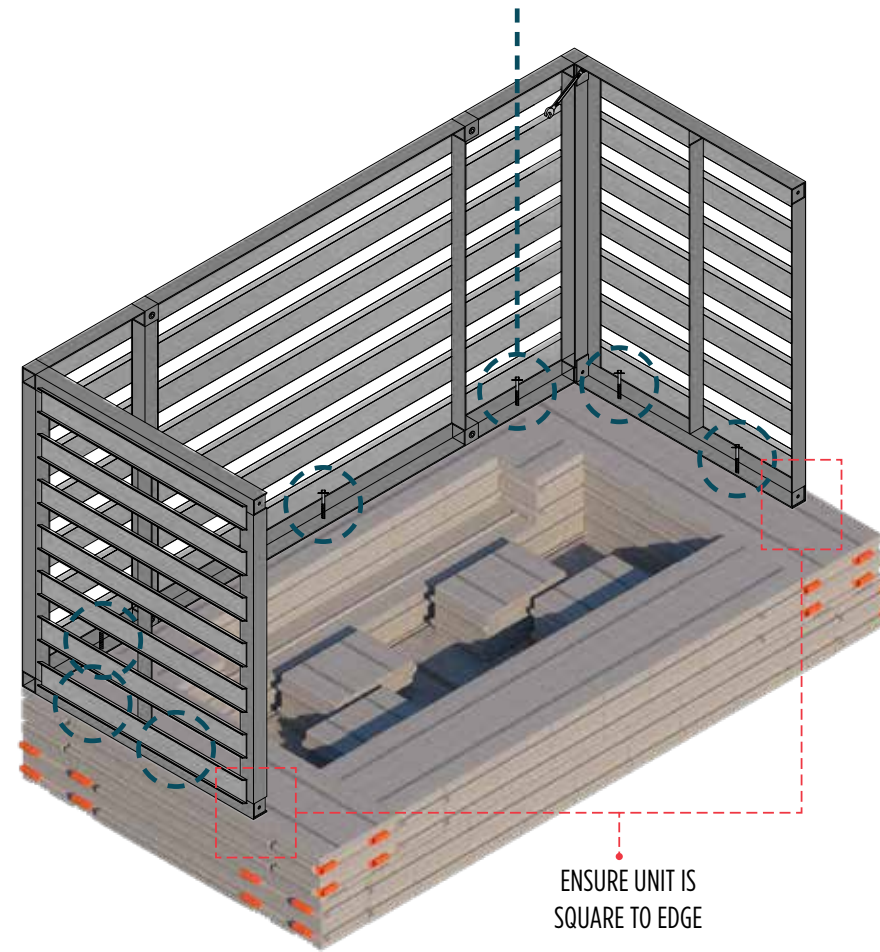


## 42" Fireplace Woodburning ASSEMBLY



**NOTE:**

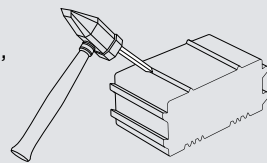
Place 3-sided assembly on Backer Base - Using 1/4"- 3/8" Concrete anchors (not included) connect cabinet to Backers.



ENSURE UNIT IS  
SQUARE TO EDGE

**NOTE:**

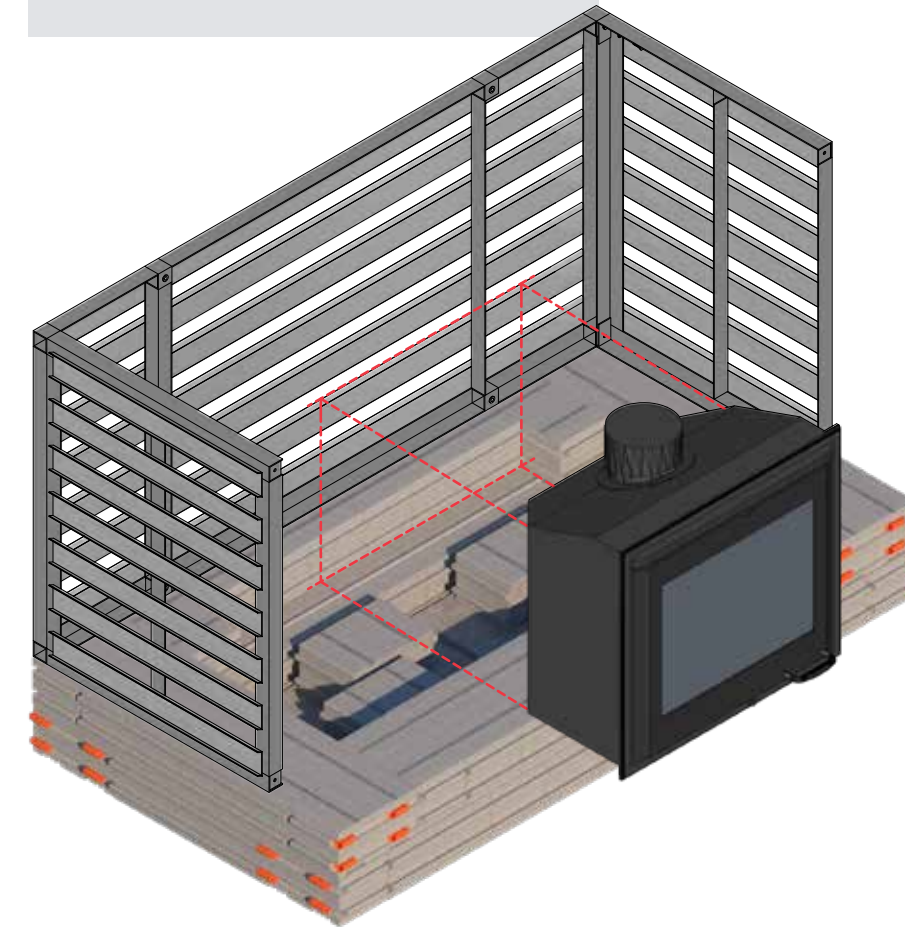
Prior to attaching cabinet top, lugs will need to be removed with a hammer and chisel (top row of block only).



## 42" Fire Cabinet Woodburning ASSEMBLY (CONTINUED)

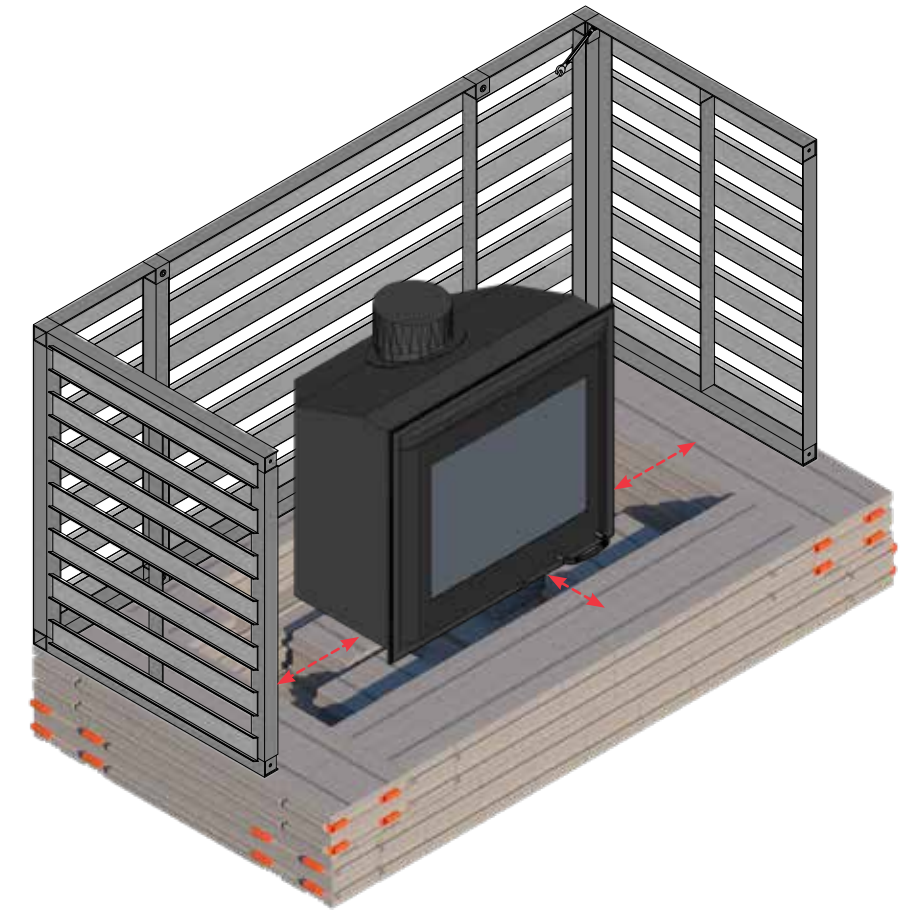
**NOTE:**

Ensure to align with back row of Standard backer. This will ensure proper flue alignment with mantle.



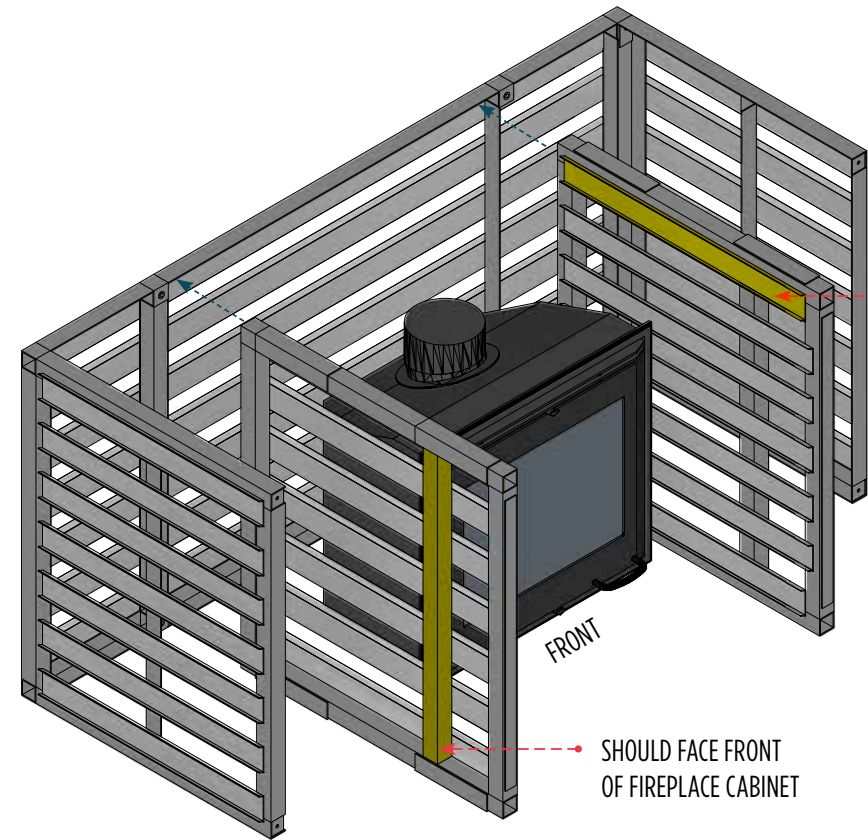
**NOTE:**

Center Fireplace Cabinet in Backer Block cavity.





## 42" Fire Cabinet Woodburning ASSEMBLY (CONTINUED)



**NOTE:**

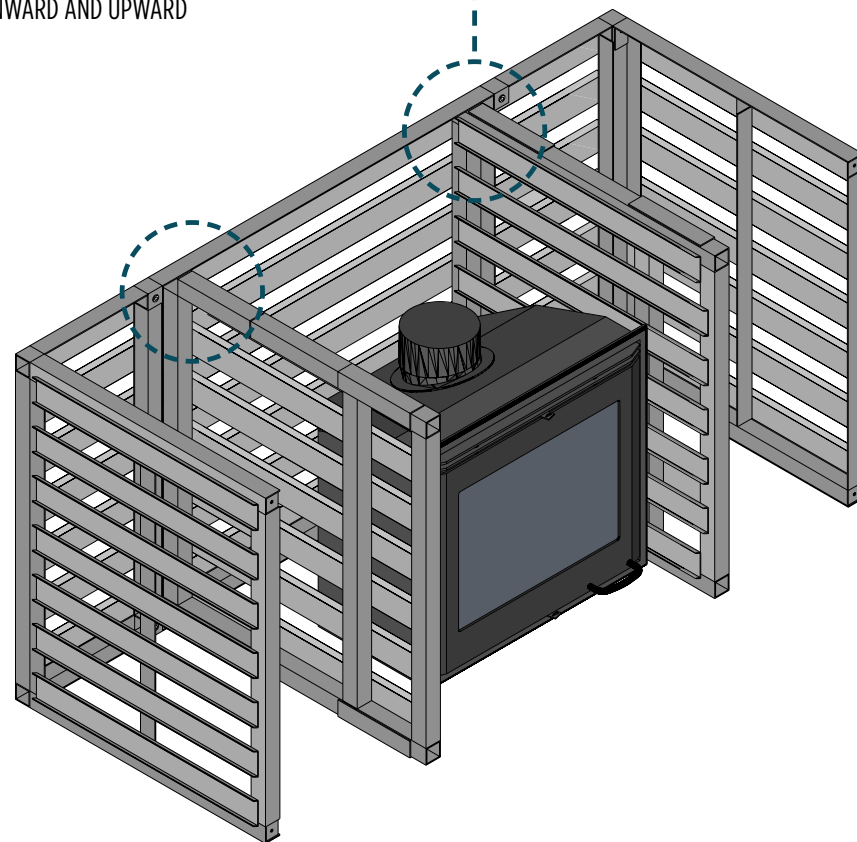
Slide (tuck) Returns under the top and bottom angle struts.

RAILS SHOULD FACE INWARD AND UPWARD

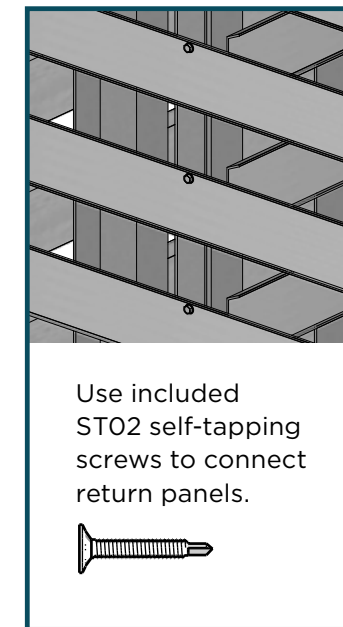
SHOULD FACE FRONT OF FIREPLACE CABINET

**NOTE:**

Return Panels have a Right and Left unit. They should be positioned on either side of the firebox flange/edge.



## 42" Fire Cabinet Woodburning ASSEMBLY (CONTINUED)

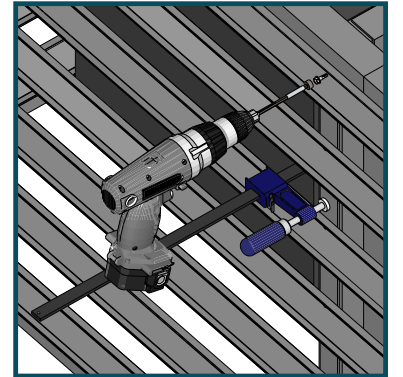
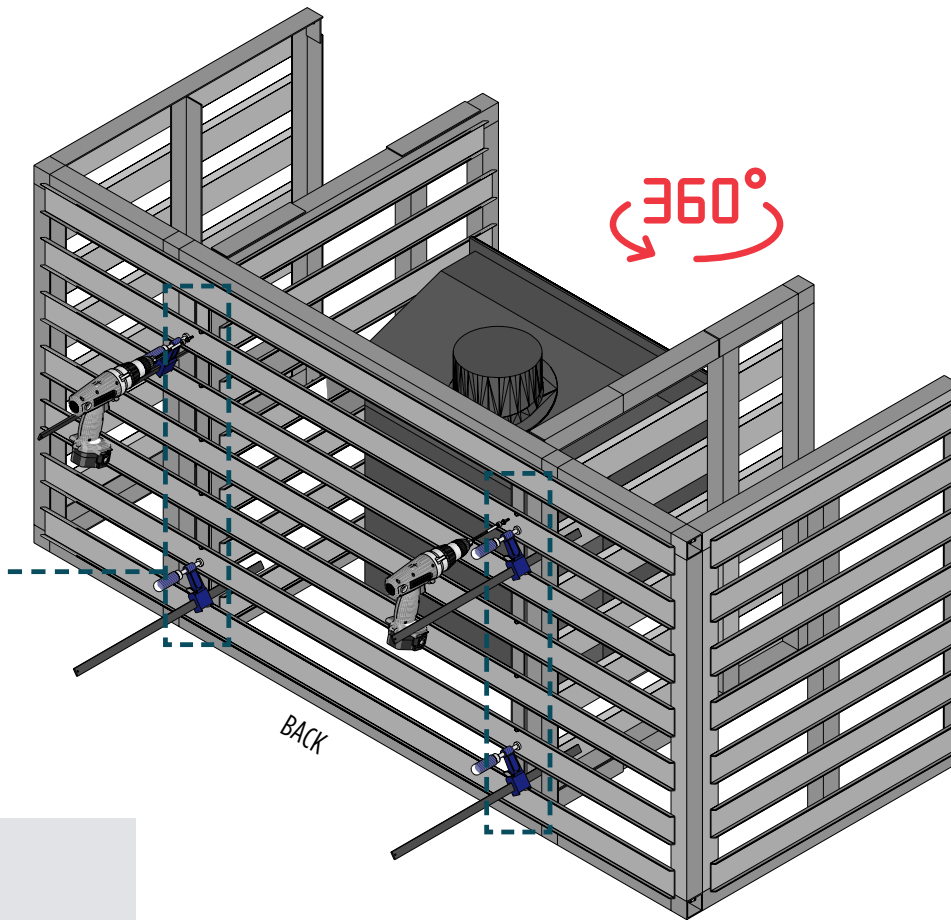


Use included ST02 self-tapping screws to connect return panels.



**NOTE:**

The screw position under the top bend in each rail. Repeat for opposite side.

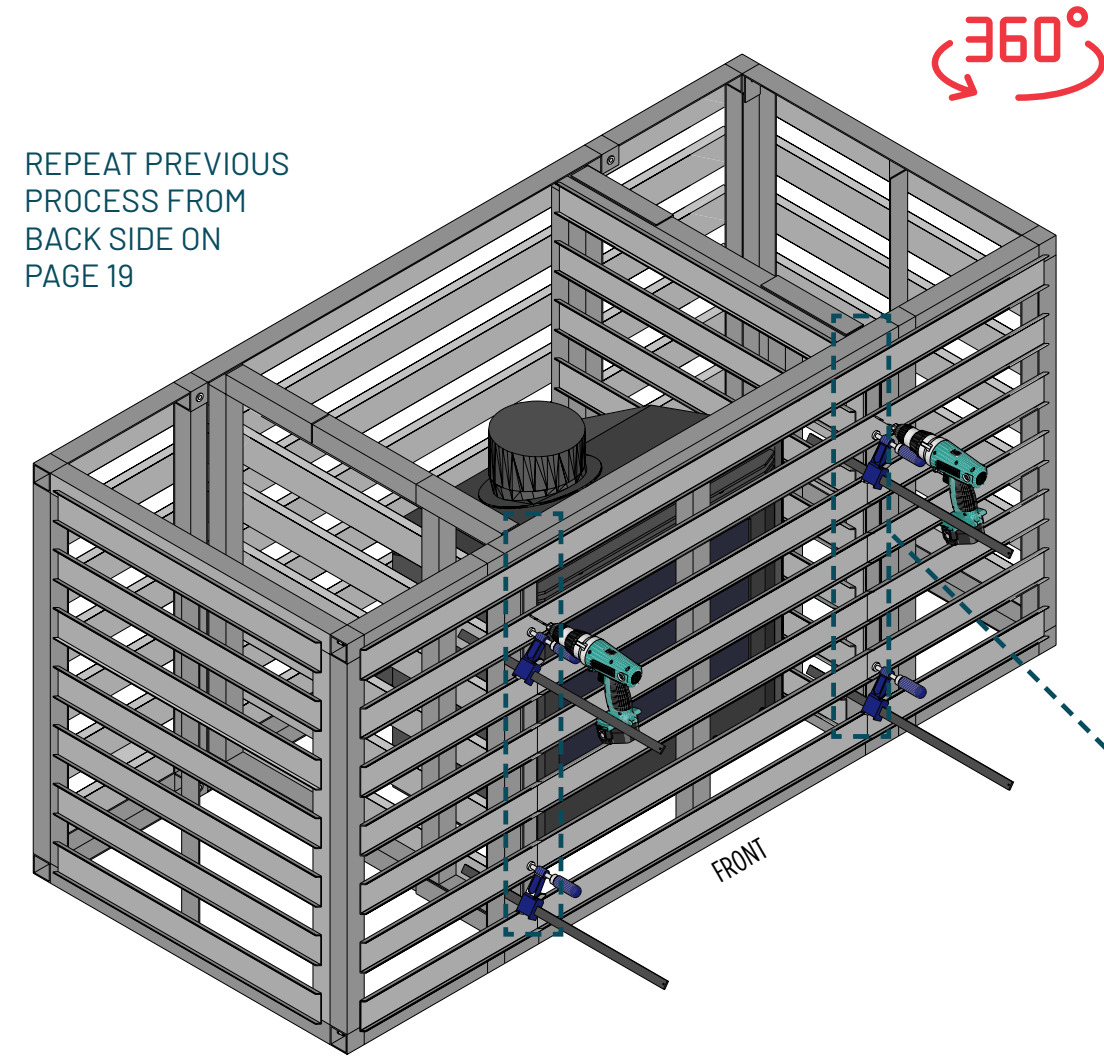


**NOTE:**

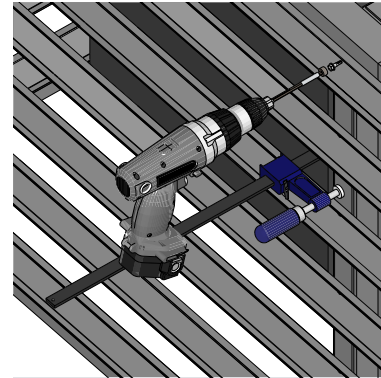
Use a clamp to keep returns aligned to desired plumb and level position while attaching self-tapping screws.

## 42" Fire Cabinet Woodburning ASSEMBLY (CONTINUED)

REPEAT PREVIOUS  
PROCESS FROM  
BACK SIDE ON  
PAGE 19



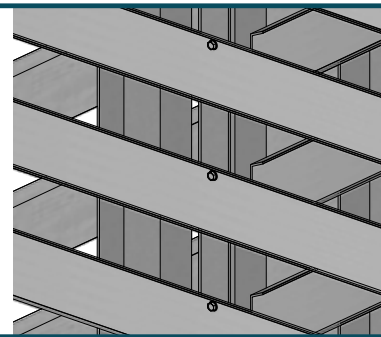
360°



**NOTE:**

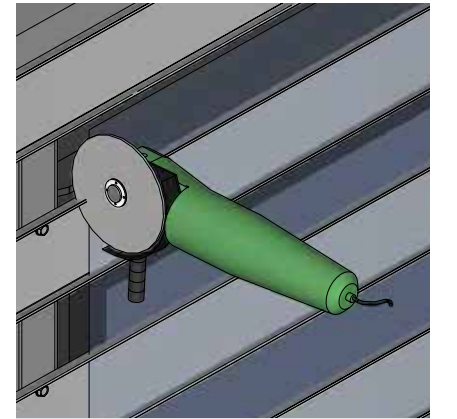
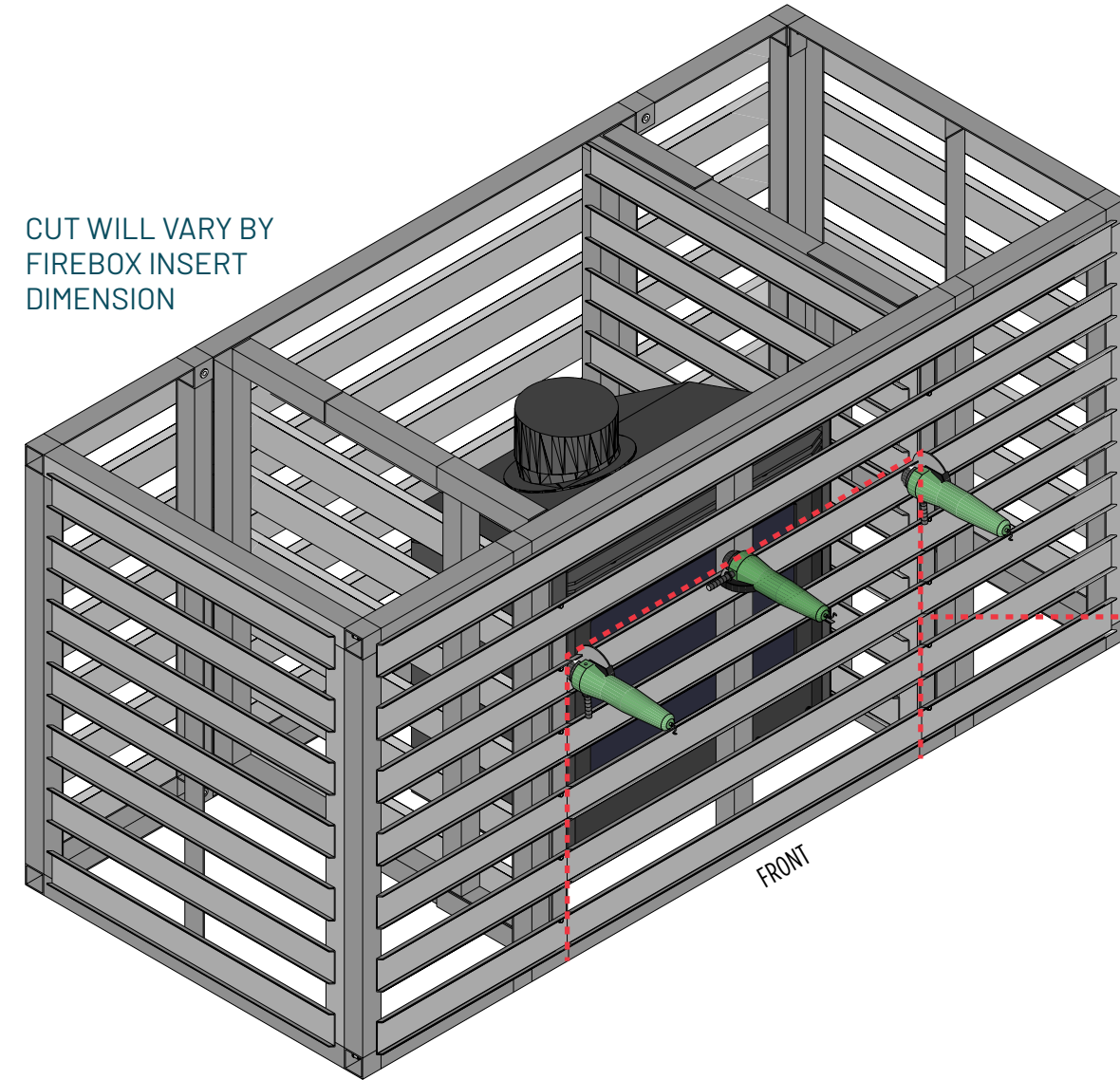
Use a clamp to keep returns aligned to desired plumb and level position while attaching self-tapping screws.

Use included ST02 self-tapping screws to connect return panels.



## 42" Fire Cabinet Woodburning ASSEMBLY (CONTINUED)

CUT WILL VARY BY  
FIREBOX INSERT  
DIMENSION



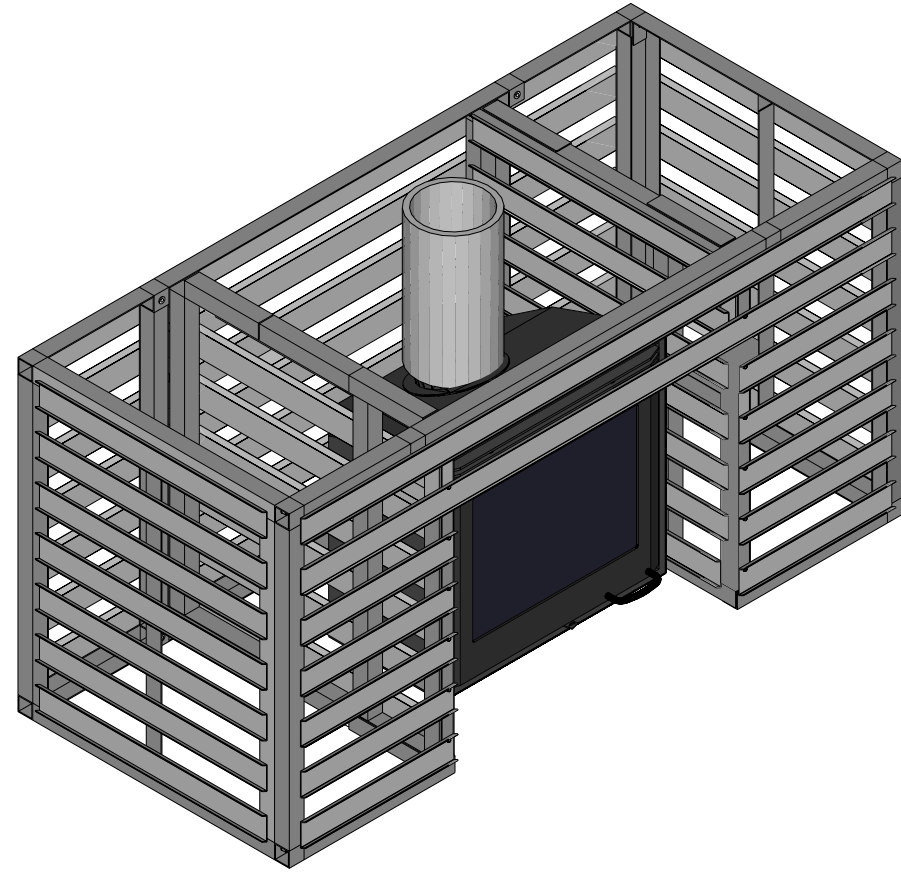
**NOTE:**

Cut will start at the edge of each interior Return panel.

Center Strut will also be cut as well as bottom rail.

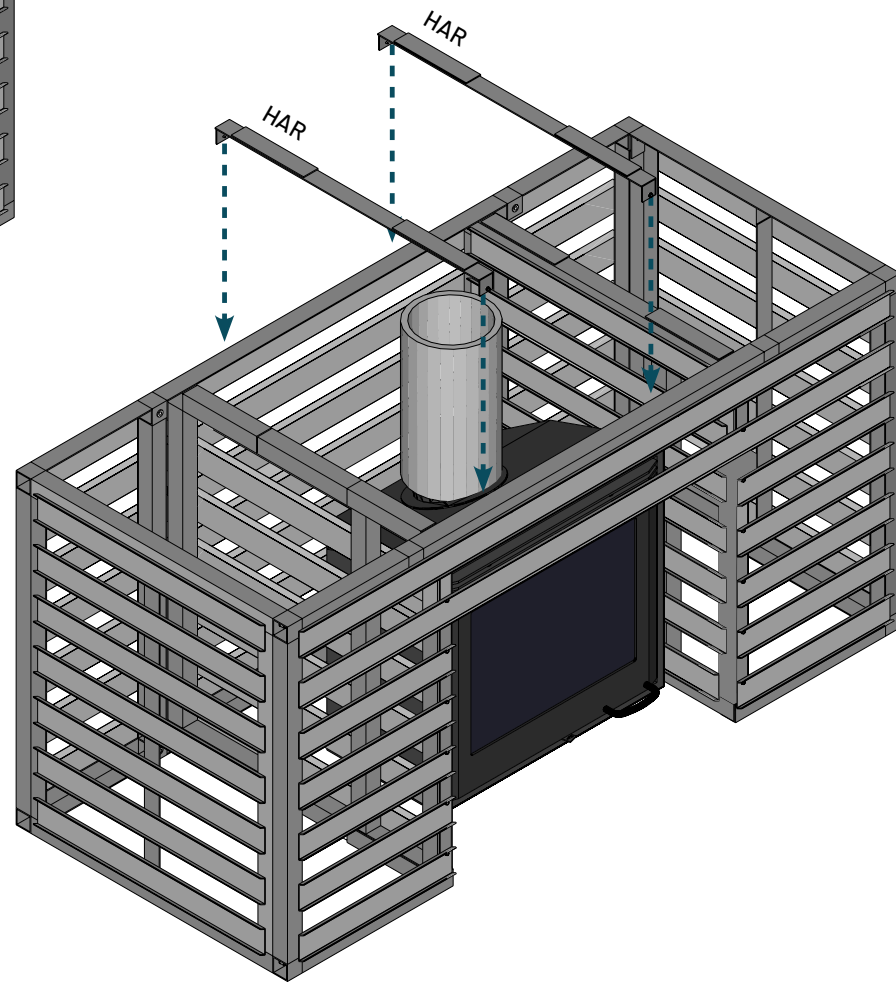


## 42" Fire Cabinet Woodburning ASSEMBLY (CONTINUED)



**NOTE:**

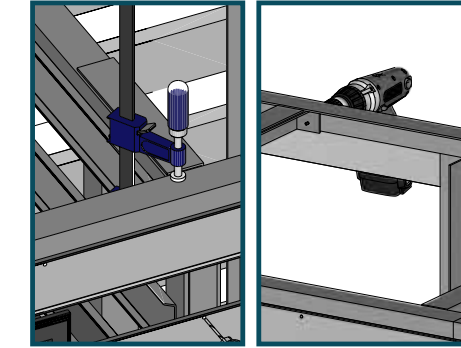
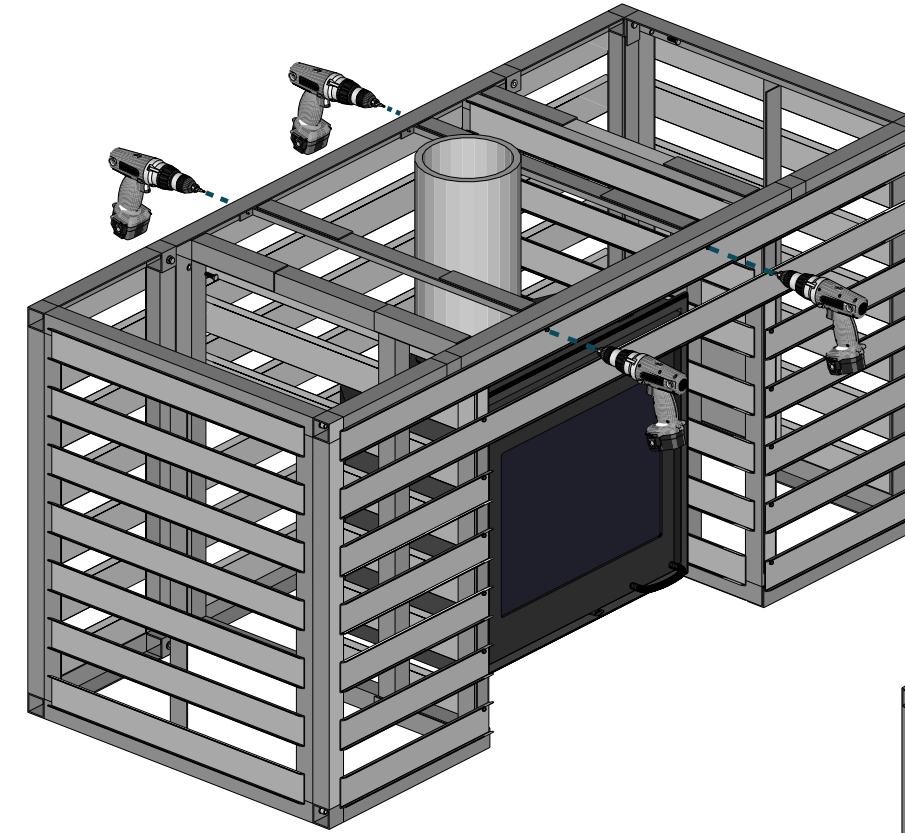
Adjust HAR on both sides of the flue pipe to help keep it aligned. These will be tucked under the top angle rail.



**NOTE:**

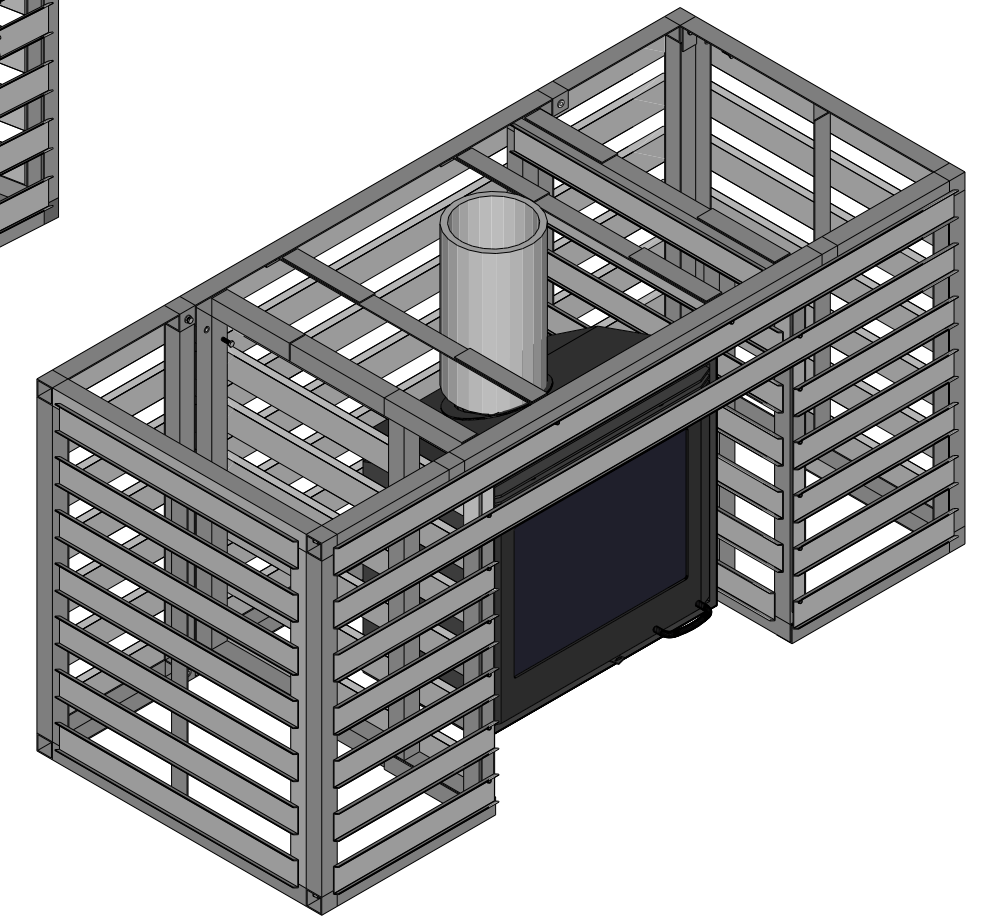
Snap 18" Flue pipe into insert.

## 42" Fire Cabinet Woodburning ASSEMBLY (CONTINUED)



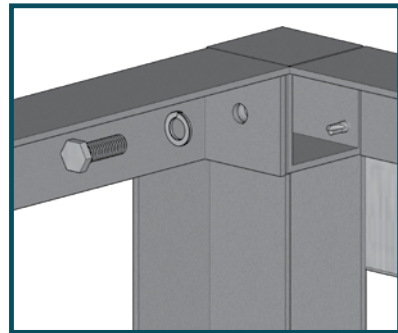
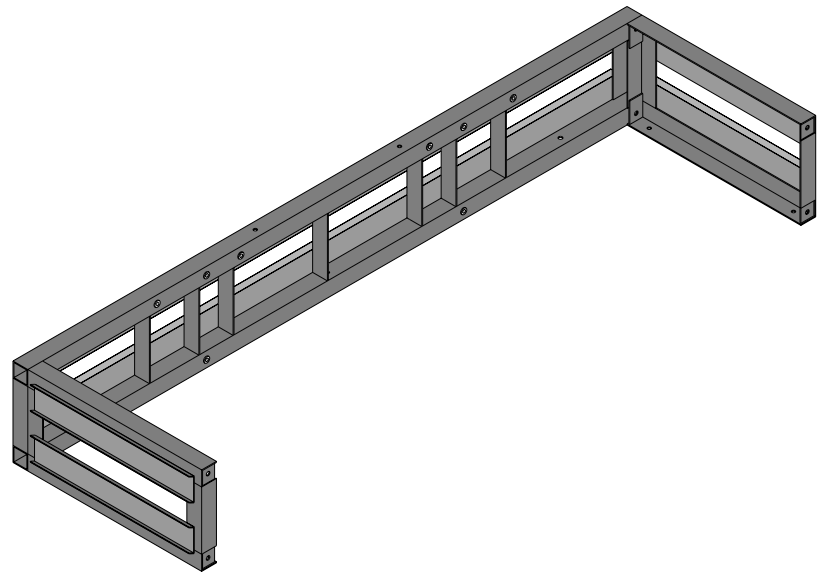
**NOTE:**

Clamp and attach using ST02 self-tapping screws. Repeat process on backside.

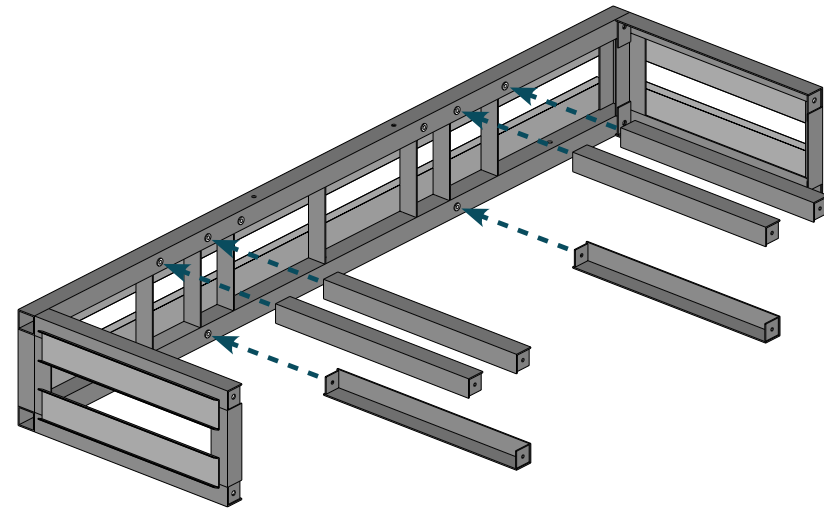




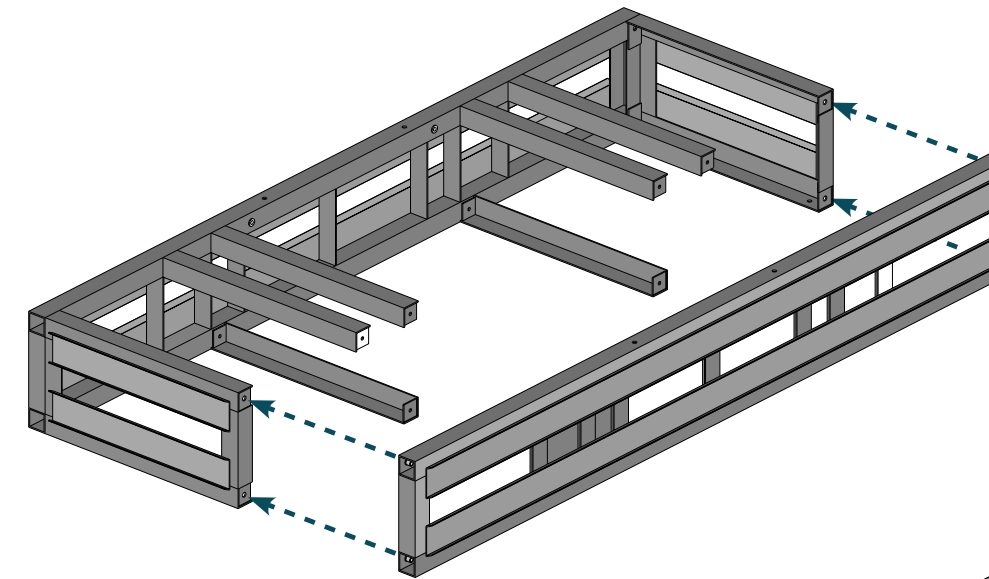
## 42" Fireplace *Woodburning* WIDE MANTLE ASSEMBLY



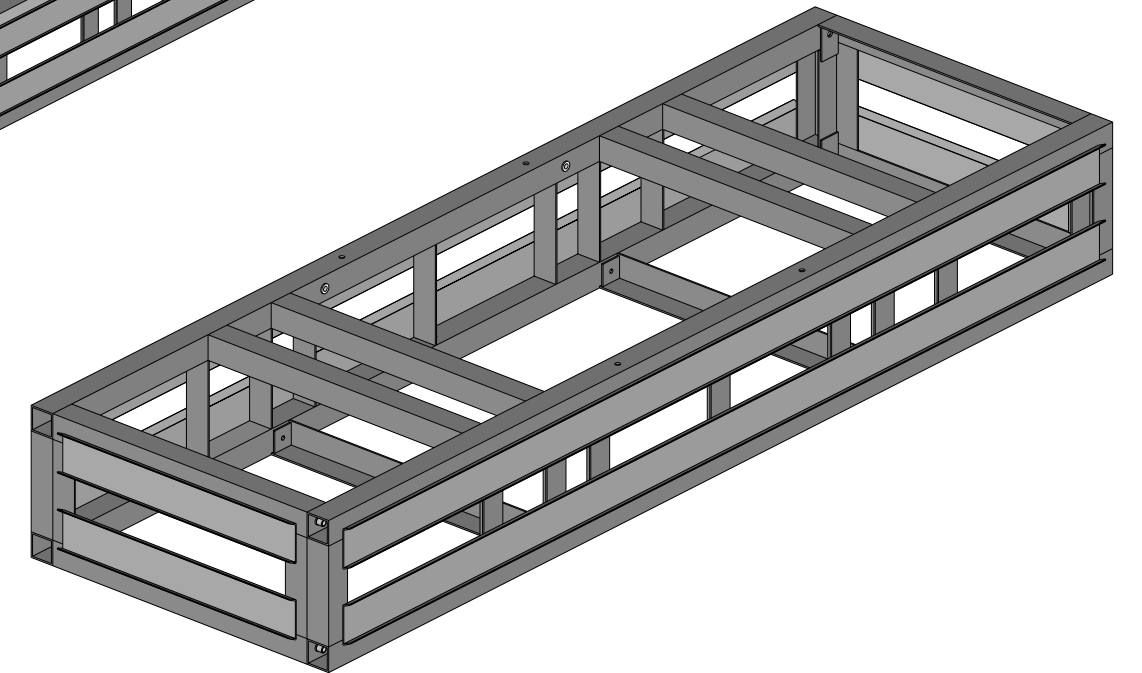
**NOTE:**  
Attach both ends and then bolt on the interior strut supports.



## 42" Fireplace *Woodburning* WIDE MANTLE ASSEMBLY (CONTINUED)

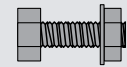
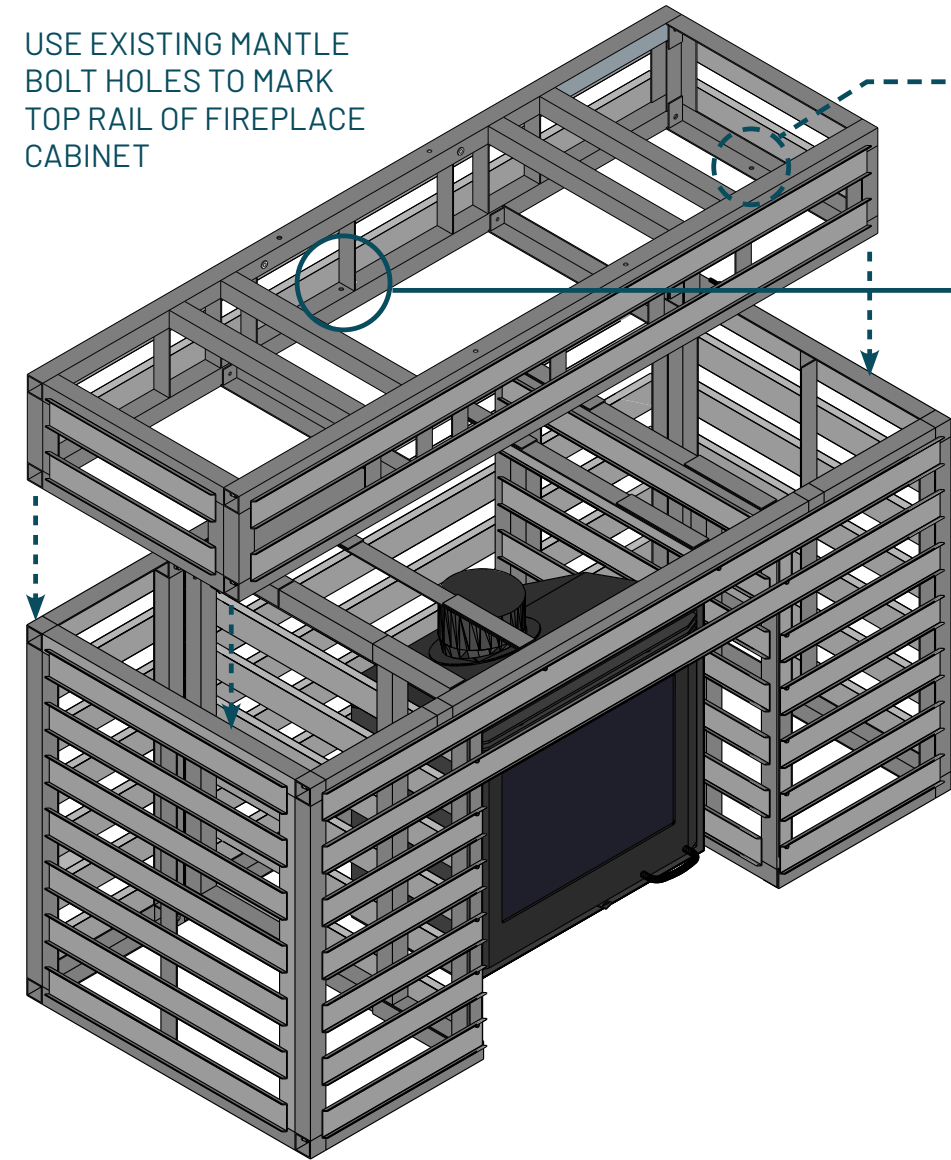


**NOTE:**  
Attach front panel with included bolts. Hand tighten all components until all are attached and then tighten securely with impact/wrench.



# WIDE MANTLE ASSEMBLY (CONTINUED)

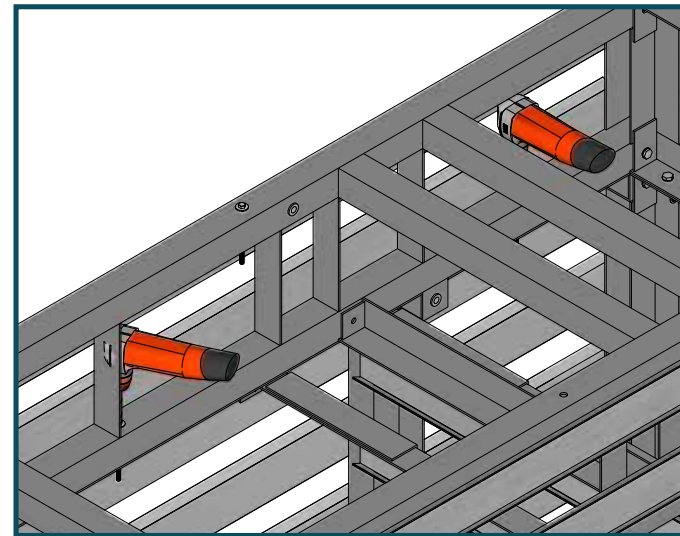
USE EXISTING MANTLE BOLT HOLES TO MARK TOP RAIL OF FIREPLACE CABINET



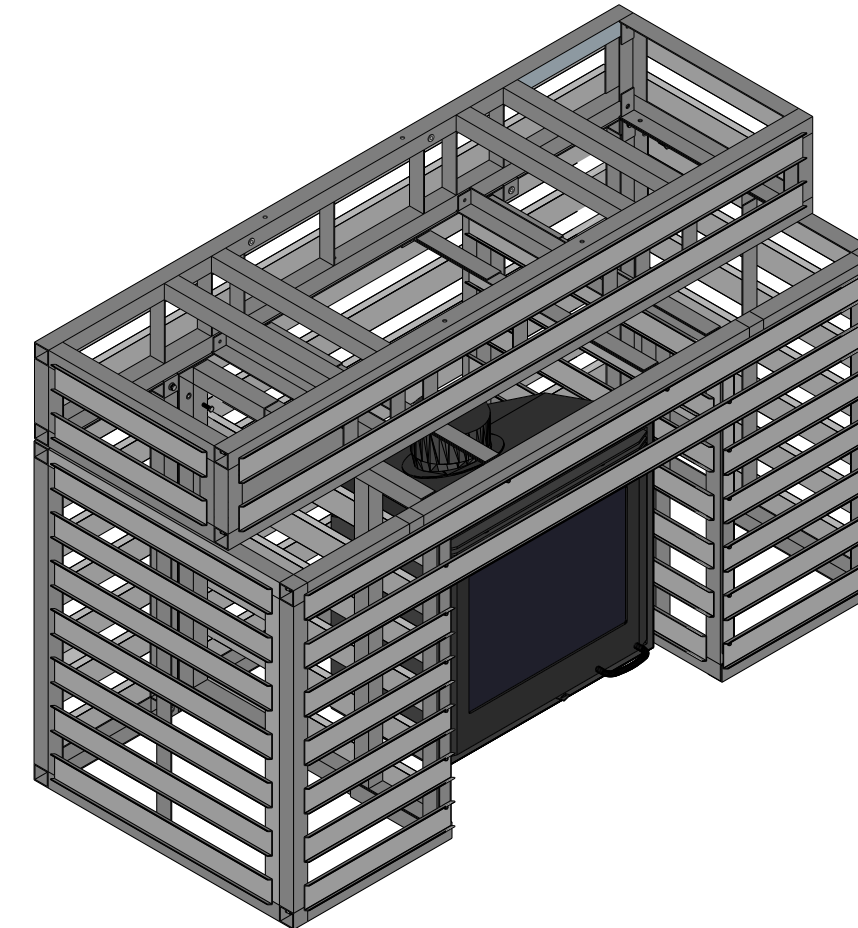
B01 Bolts are to be used to connect the end panels.



3" bolts are to be used on front and back panel attachment and 1" bolts are for the left and right panel.

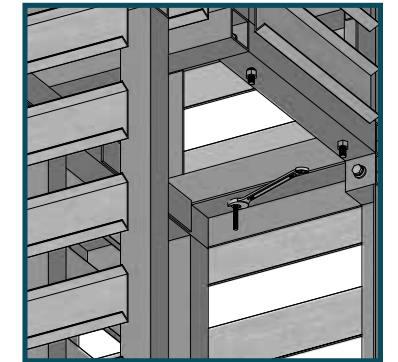
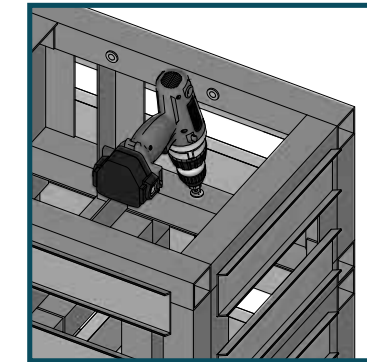


# WIDE MANTLE ASSEMBLY (CONTINUED)



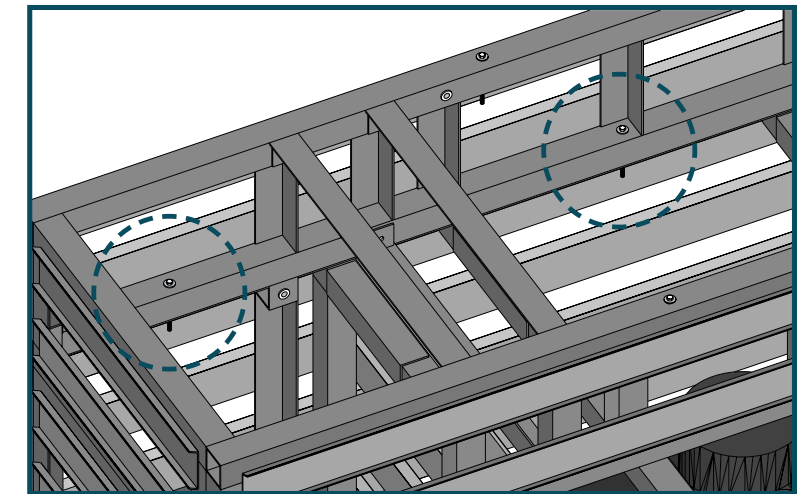
**NOTE:**

Drill hole into marked top rail of fireplace. Connect with 3" bolts and ensure locking-nuts are used to secure cabinets.



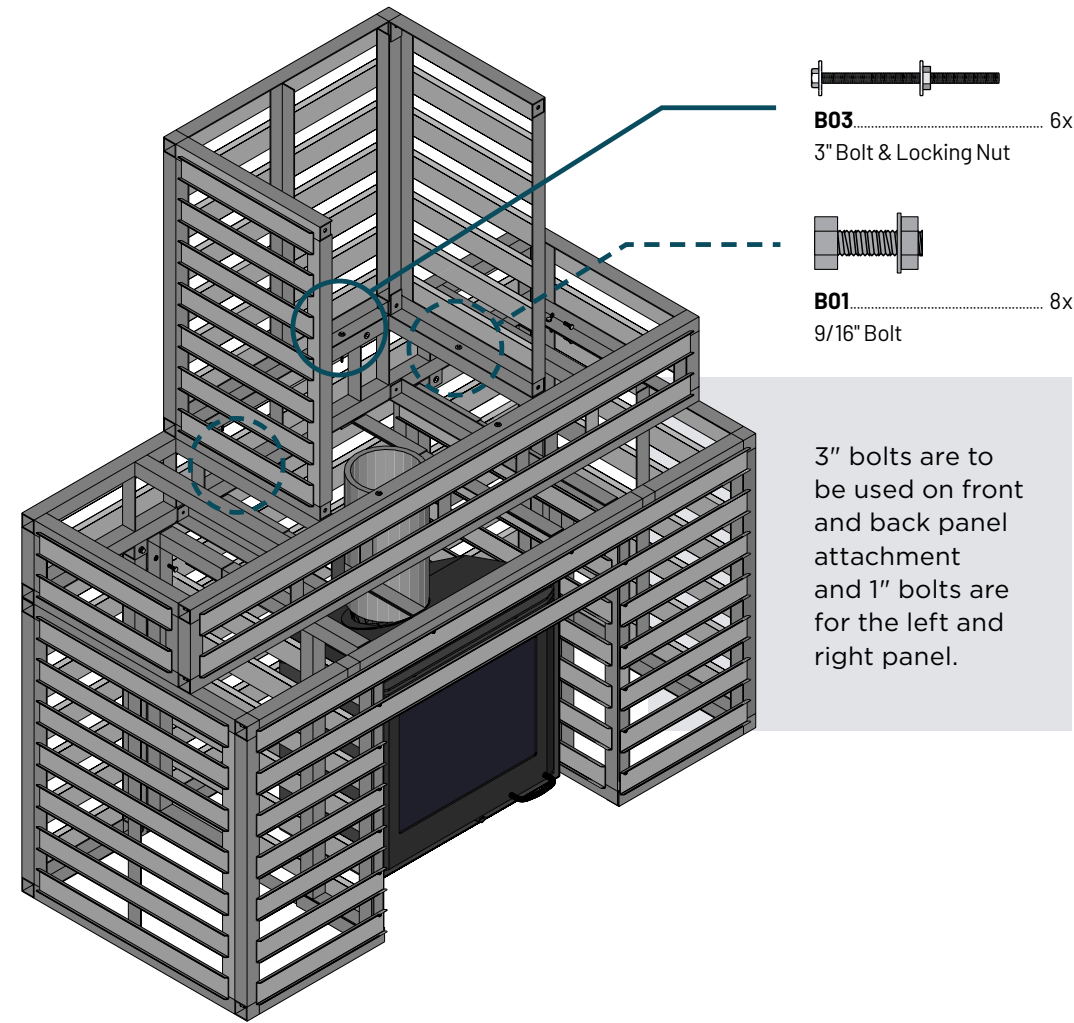
**NOTE:**

Ensure bottom fireplace cabinet is aligned with top mantle unit before securely tightening bolts.



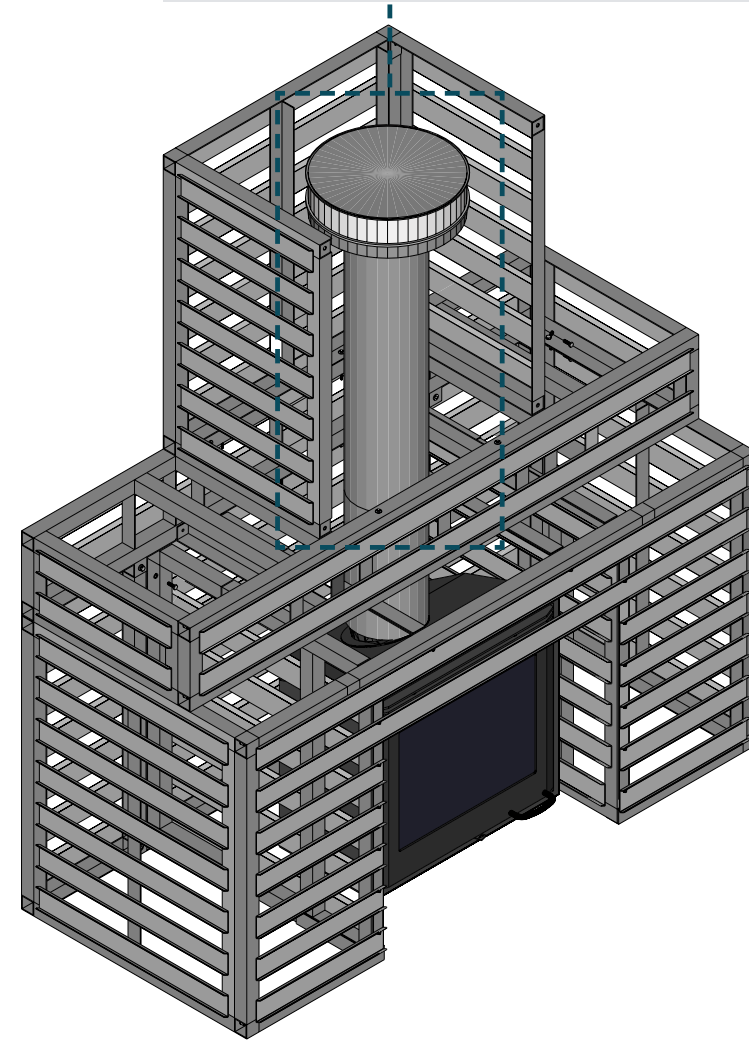


## 42" Fireplace Woodburning WIDE CHIMNEY ASSEMBLY

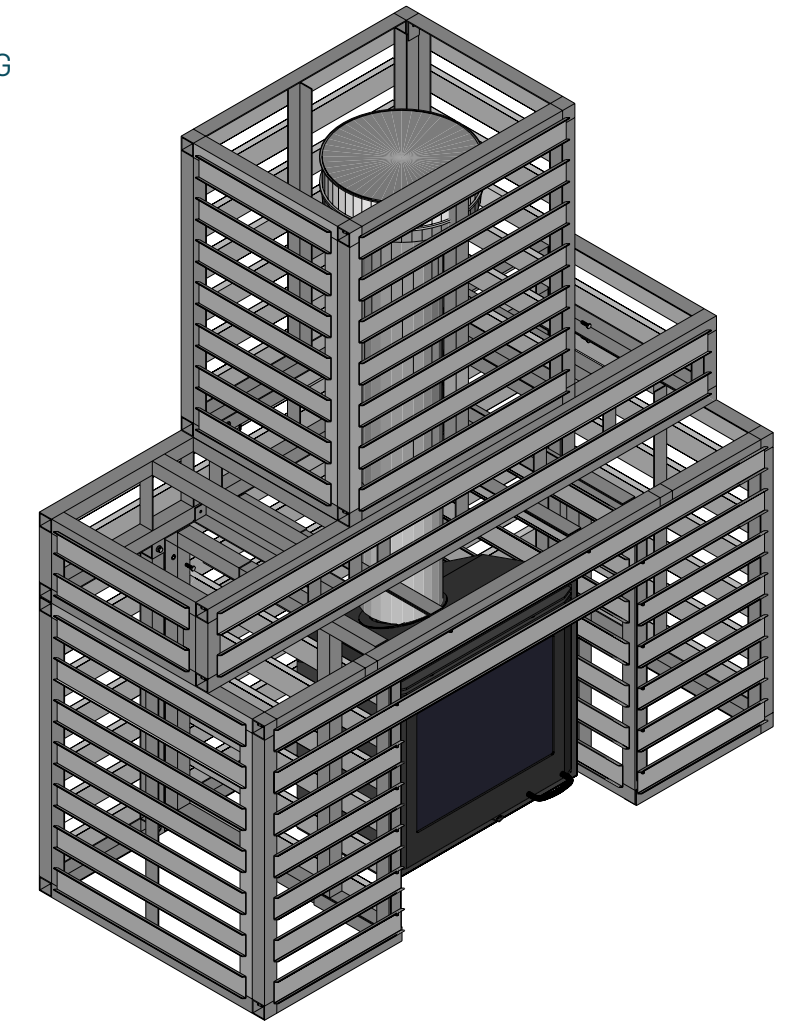
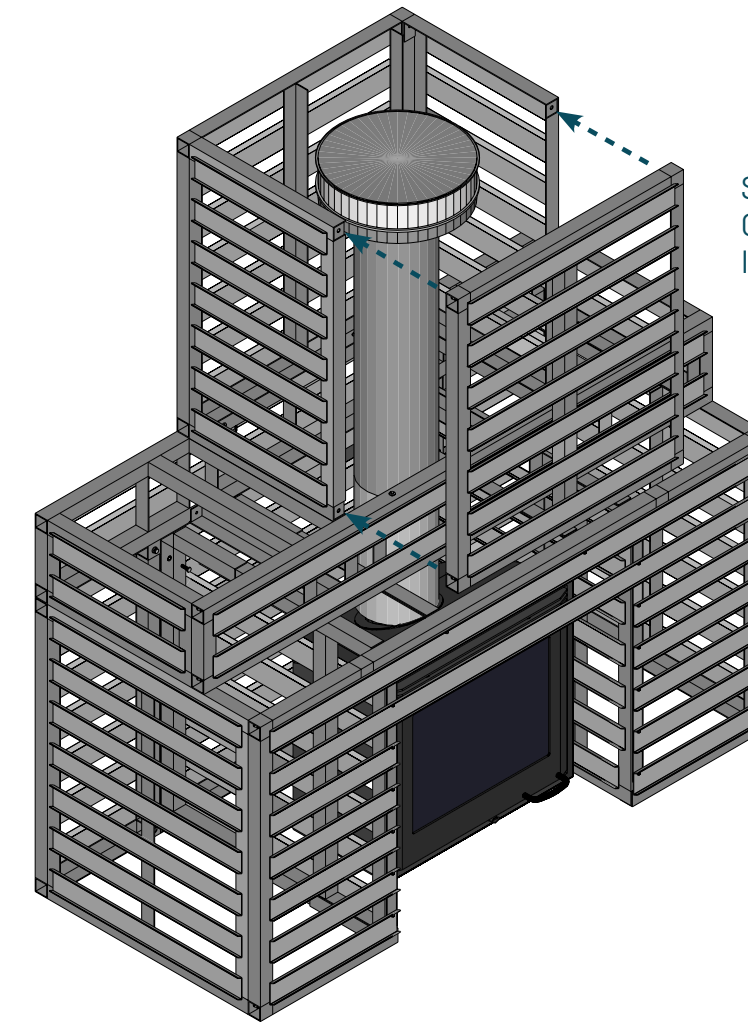


**NOTE:**

Remaining 36" flue assembly can be snapped in to bottom flue. Spark Arrestor can also be added at this point or as the final step once front panel is attached.



## 42" Fireplace Woodburning WIDE CHIMNEY ASSEMBLY (CONTINUED)

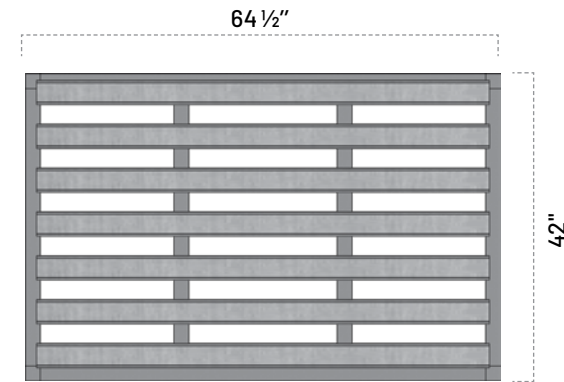
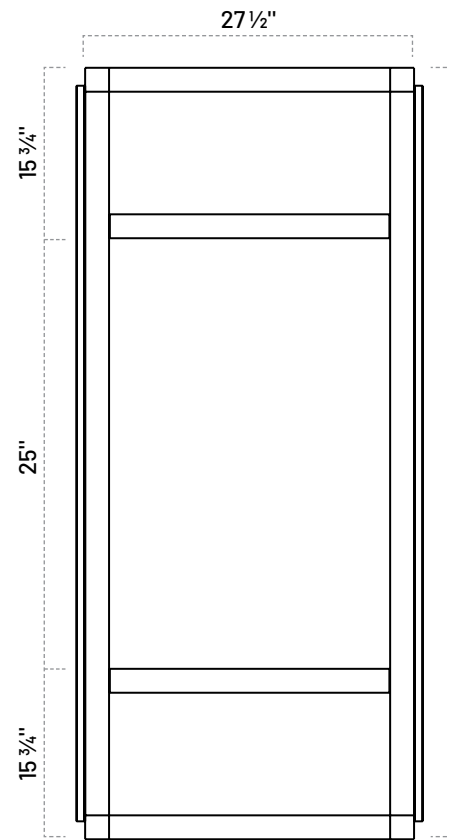
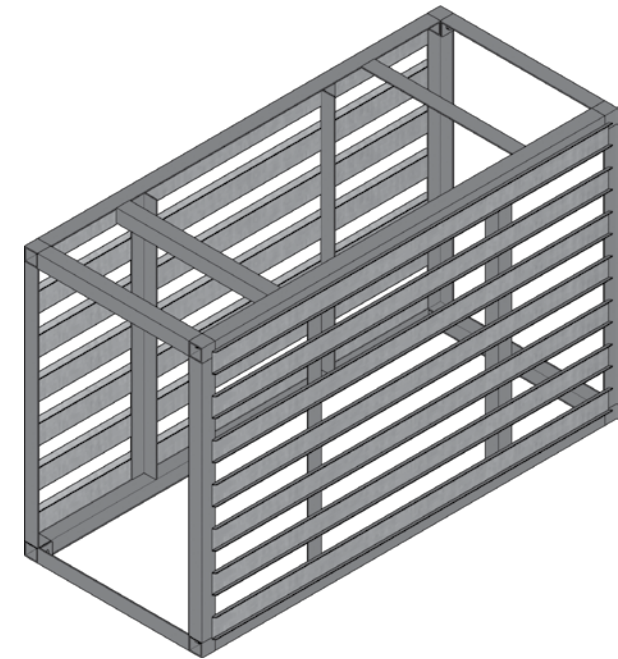


# 36" Fireplace Woodburning BASE CABINET COMPONENTS

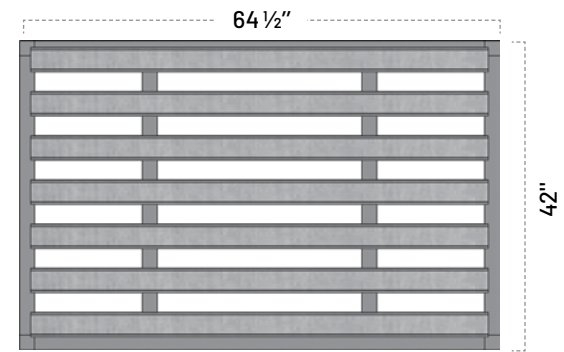
UL-BC

**DIMENSIONS**  
32 1/2" X 69 1/2"  
(Outside To Outside)

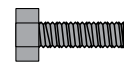
**WEIGHT**  
Without end = 59 lbs  
With end = 81 lbs



**UL-BCP**..... 1PC  
Base Module Front Panel



**UL-BCBP**..... 1PC  
Base Module Back Panel



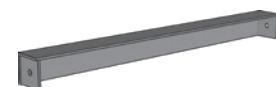
**B01**..... 8x  
9/16" Bolt



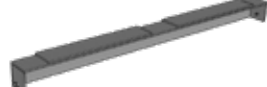
**ST02**..... 14x  
1 1/4" Self-Tap Screw



**LW01**..... 8x  
3/8" Lock Washer

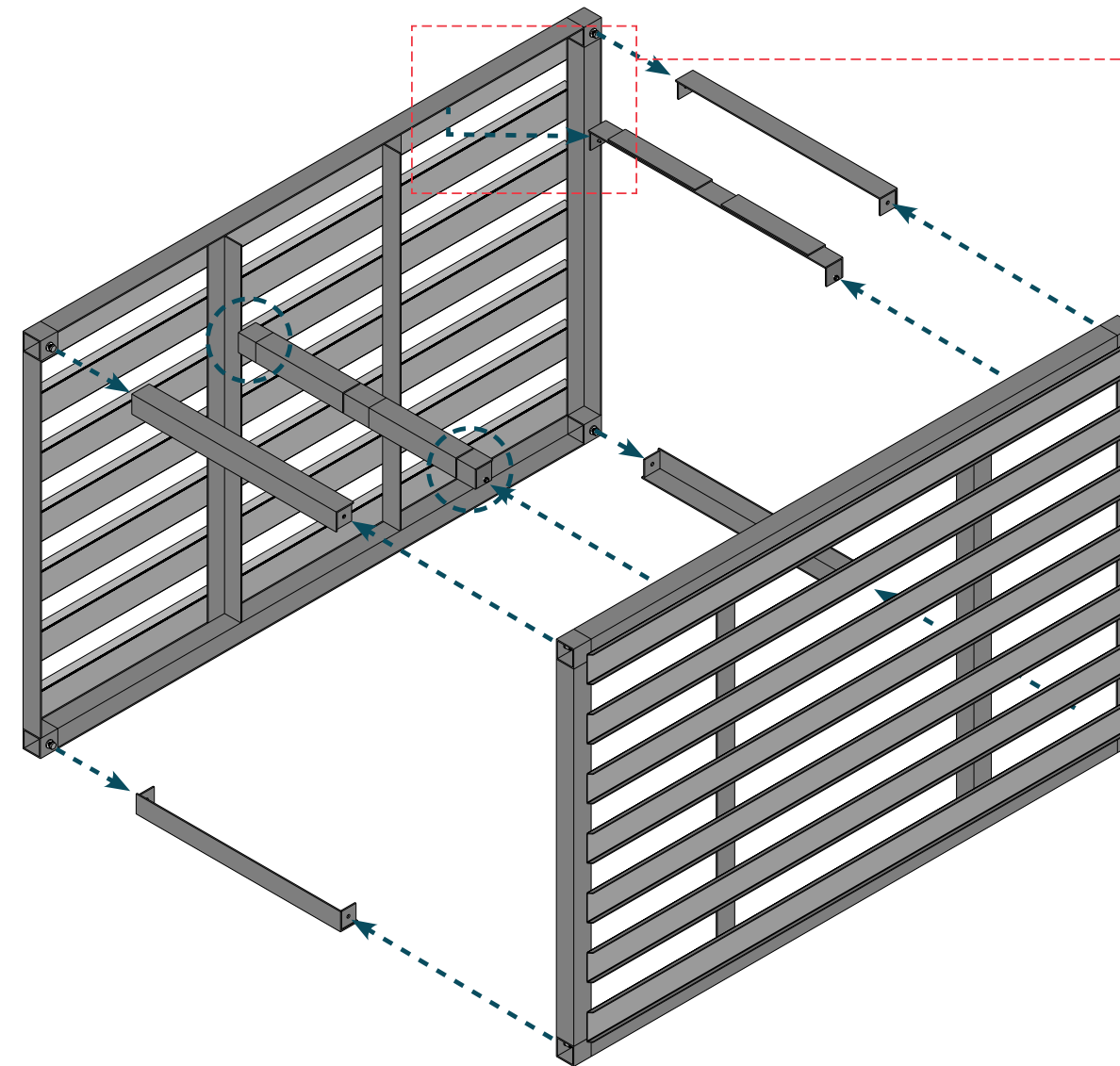


**ULCS**..... 4x  
Connecting Strut

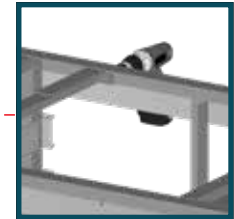


**ULHAR**..... 2x  
Horizontal Adjustable Rail

# 36" Fireplace Woodburning BASE CABINET ASSEMBLY



CLAMPS MAY BE USED TO  
SECURELY HOLD STRUTS IN  
PLACE WHILE CONNECTING



Braces are attached via  
tab and a self-tapping  
screw (ST02)

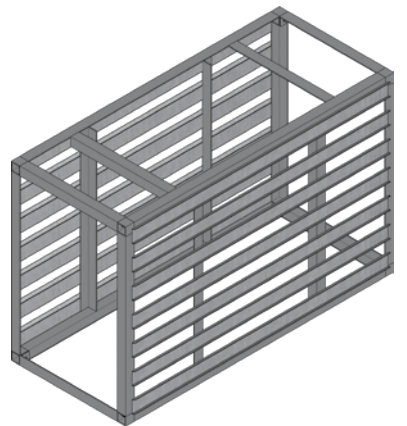


Connect with  
self-tapping screw  
(ST02)

**NOTE:**

Base module has  
2 open ends (no rails)  
to accommodate  
connections.

UTILIZING THE  
BASE CABINET  
WILL PROVIDE  
A COMPACT  
FOOTPRINT





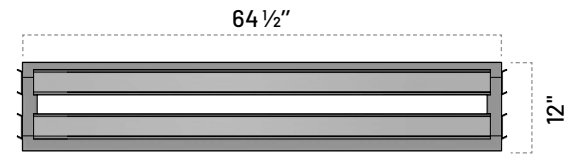
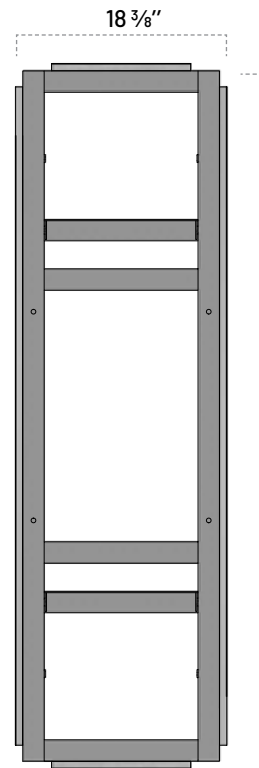
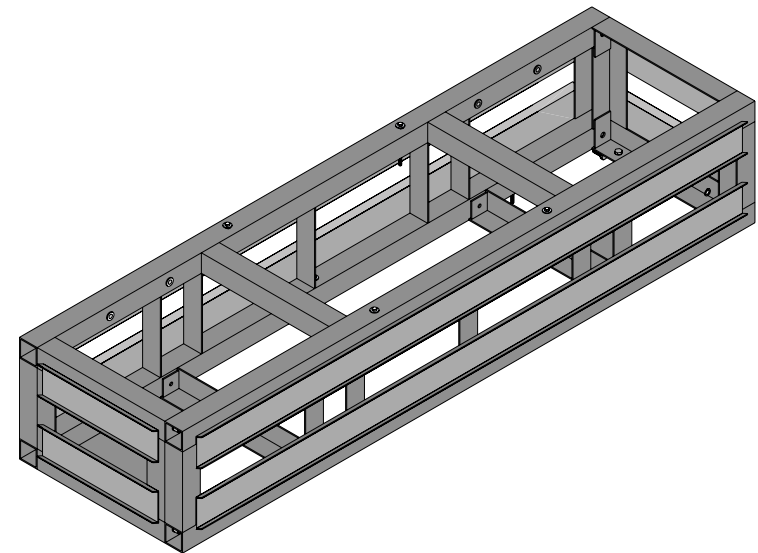
# 36" Fireplace Woodburning

## STANDARD MANTLE COMPONENTS

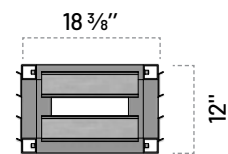
UL-FIR-M

**DIMENSIONS**  
**WITH FASCIA PANEL**  
 69 1/2" x 23 3/8" (Outside To Outside)


**WEIGHT**  
 45 lbs

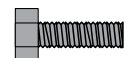



**UL-FIR-M-BP** ..... 2PC  
 Base Module Front Panel





**UL-FIR-M-ECP** ..... 2 PC  
 Base Module End-Cap Panel

- 

**B03** ..... 6x  
 3" Bolt & Locking Nut
- 

**B01** ..... 8x  
 9/16" Bolt
- 

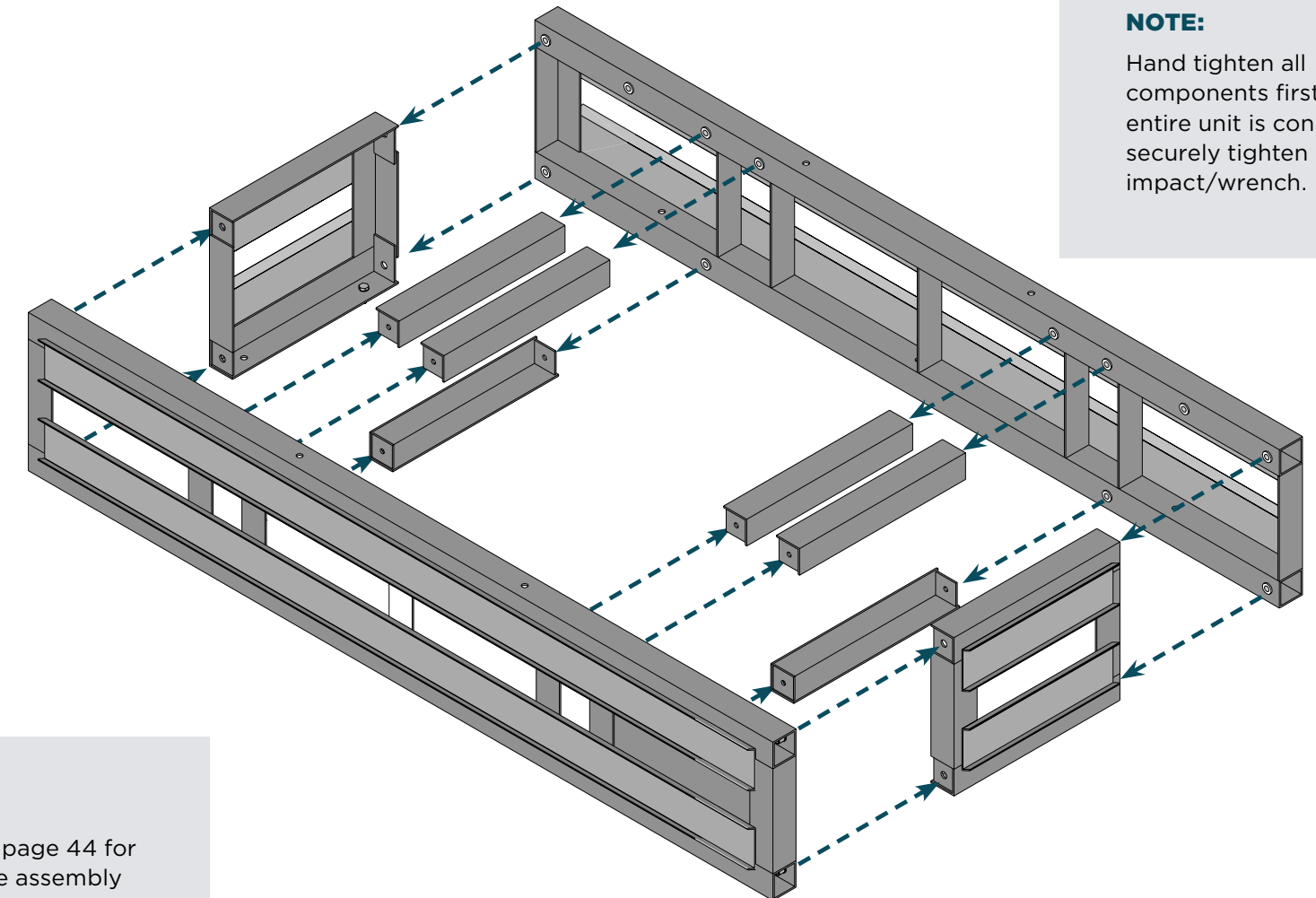
**ST02** ..... 14x  
 1/4" Self-Tap Screw
- 

**LW01** ..... 8x  
 3/8" Lock Washer
- 

**ULCS** ..... 4x  
 Connecting Strut

# 36" Fireplace Woodburning

## STANDARD MANTLE COMPONENTS (CONTINUED)



**NOTE:**  
 Hand tighten all components first. Once entire unit is connected, securely tighten with impact/wrench.

**NOTE:**  
 Refer to page 44 for Fireplace assembly sequence.

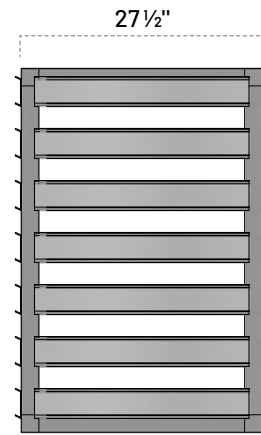
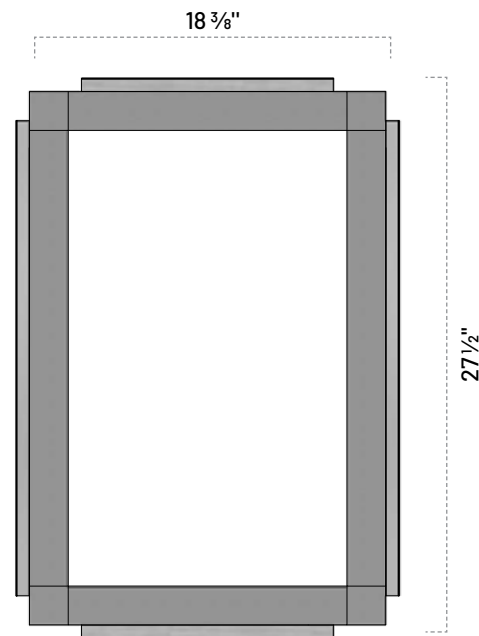
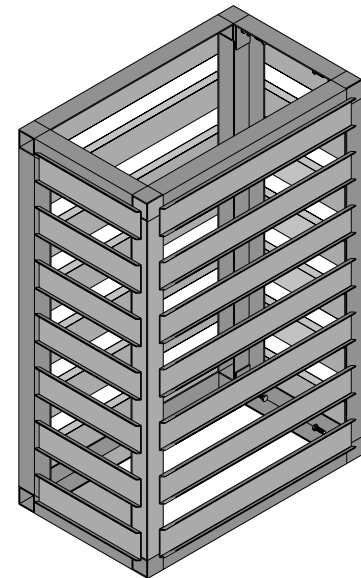
# 36" Fireplace Woodburning

## STANDARD CHIMNEY COMPONENTS

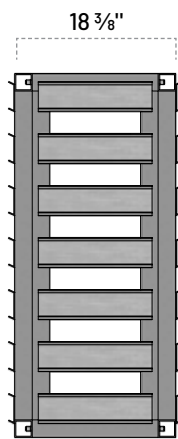
UL-FIR-CH

**DIMENSIONS**  
**WITH FASCIA PANEL**  
 32 1/2" x 23 3/8" (Outside To Outside)

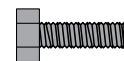
**WEIGHT**  
 43 lbs



**UL-CCBP-0S** ..... 2 PC  
 Chimney Front & Back Panel



**UL-ECP** ..... 2 PC  
 Chimney End-Clad Panel



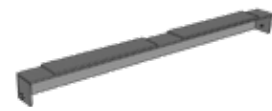
**B01** ..... 8x  
 9/16" Bolt



**ST02** ..... 14x  
 1 1/4" Self-Tap Screw



**LW01** ..... 8x  
 3/8" Lock Washer



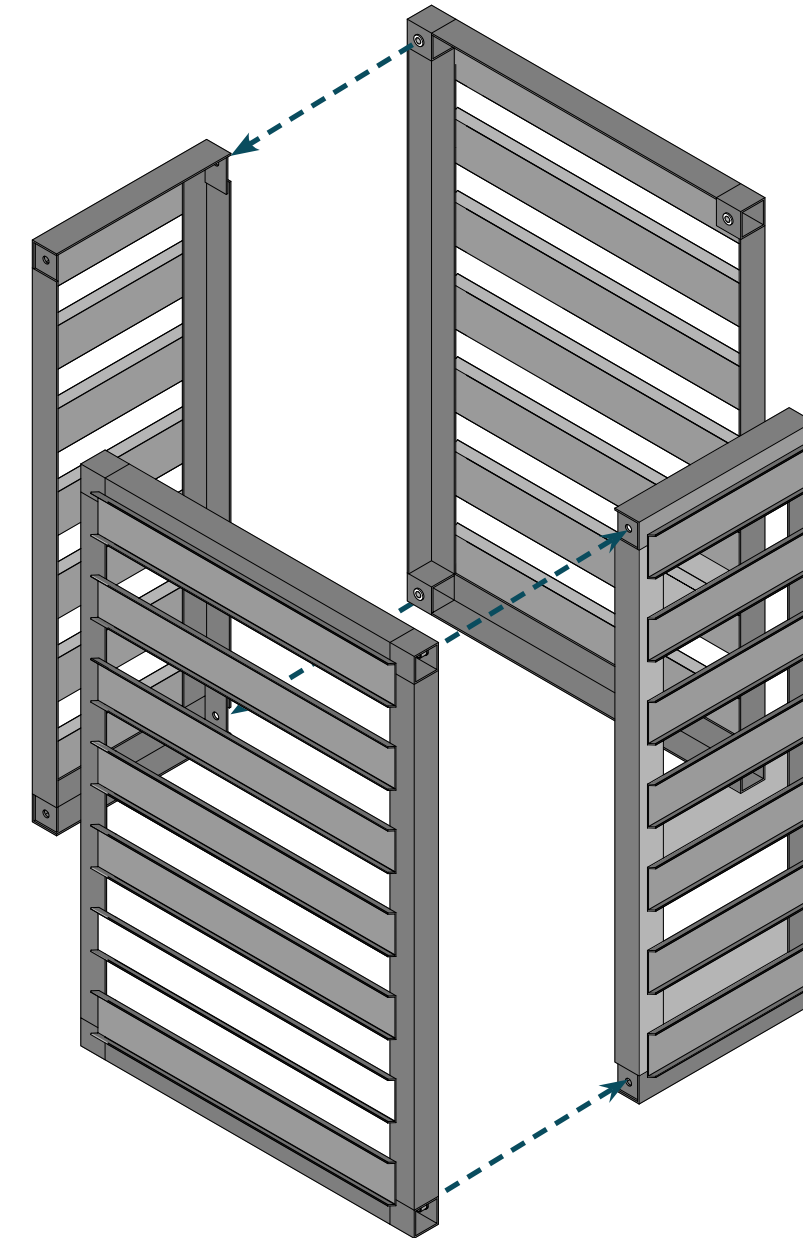
**ULHAR** ..... 4x  
 Horizontal Adjustable Rail

# 36" Fireplace Woodburning

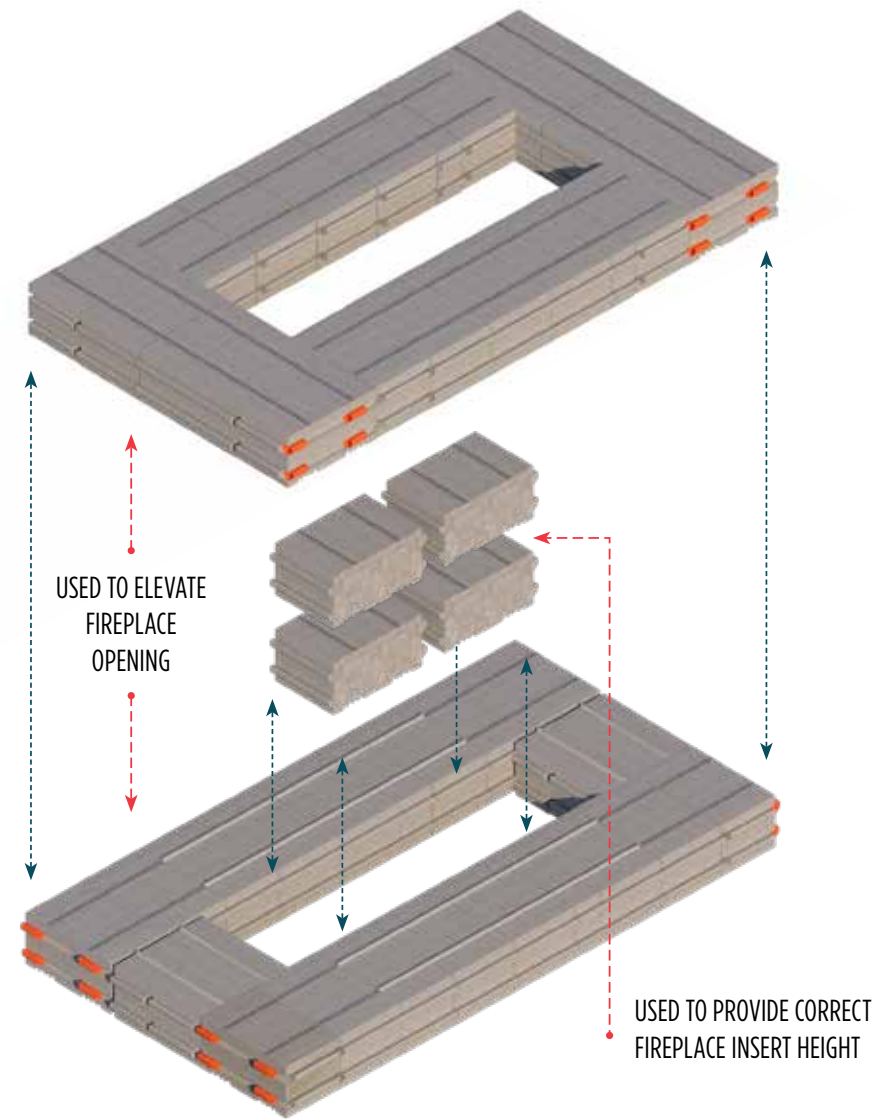
## STANDARD CHIMNEY COMPONENTS (CONTINUED)

**NOTE:**

Refer to page 46  
 for Fireplace assembly  
 sequence.

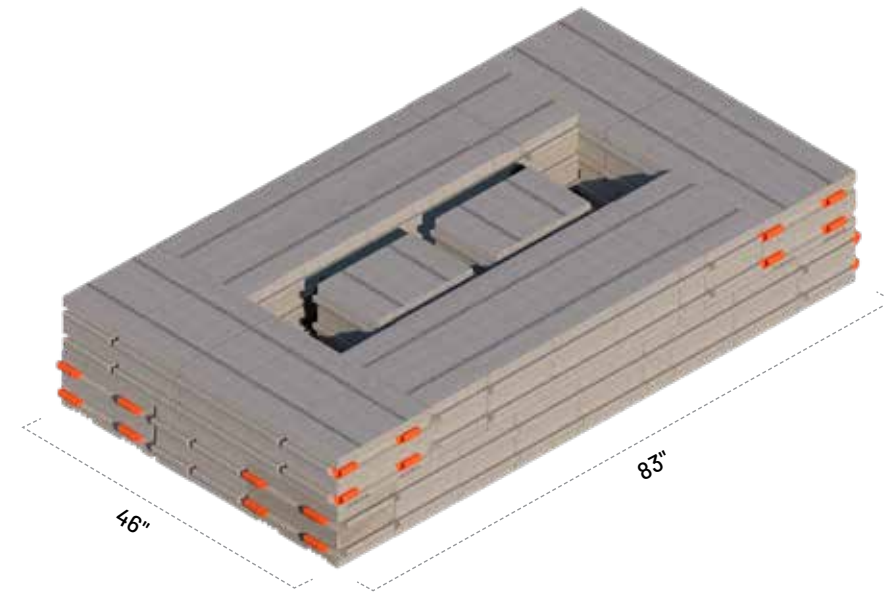


## 36" Fireplace *Woodburning* BACKER BLOCK ADJUSTABLE BASE



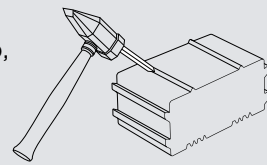
**NOTE:**

This should be constructed on top of poured in place concrete pad (similar to page 12).

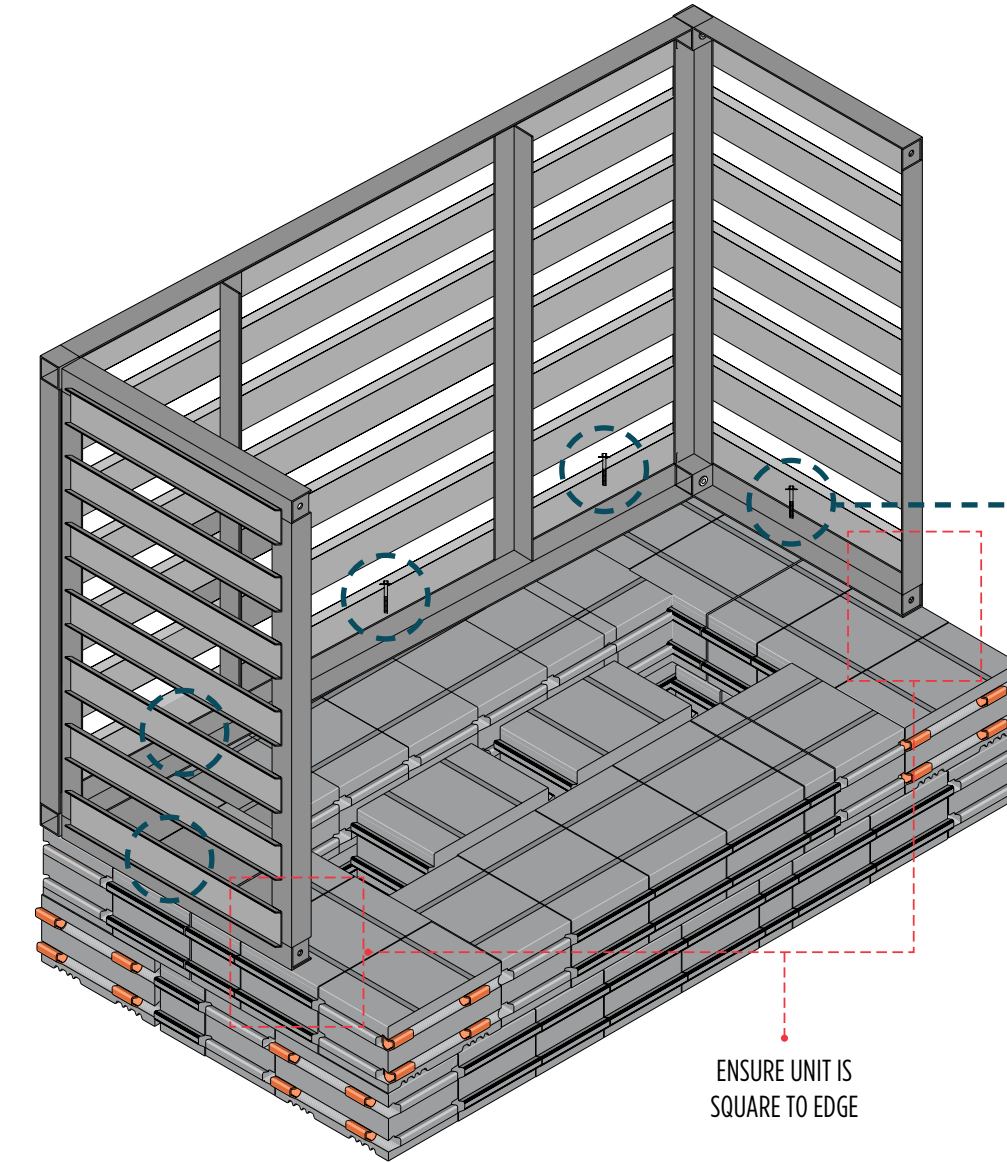


**NOTE:**

Prior to attaching cabinet top, lugs will need to be removed with a hammer and chisel (top row of block only)



## 36" Fireplace *Woodburning* CABINET AND BACKER BLOCK BASE CONNECTION



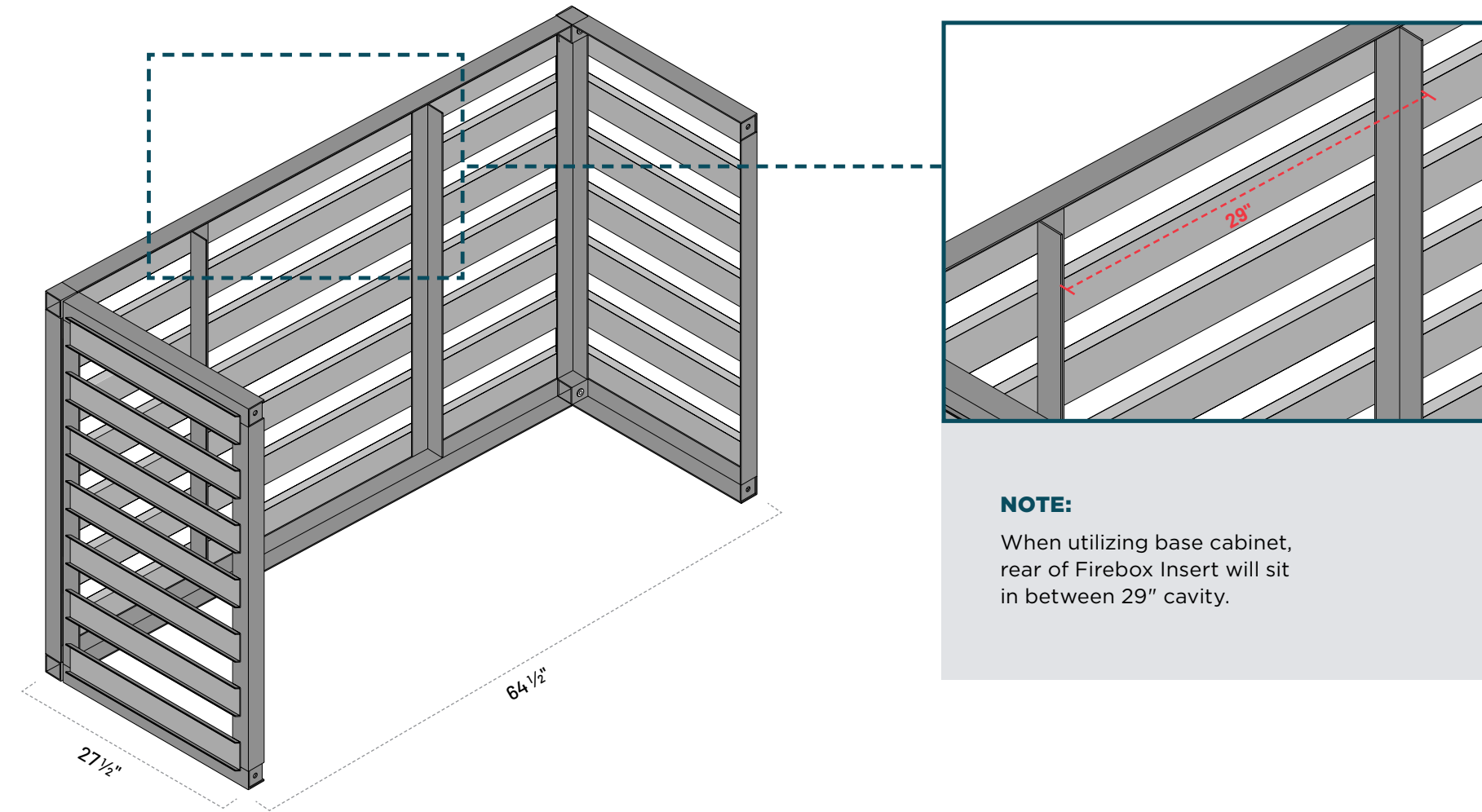
**NOTE:**

Attach back panel to 2 standard end clads (ECK). Place and secure over backer block base with 1/4"- 3/8". Concrete anchors (not included).

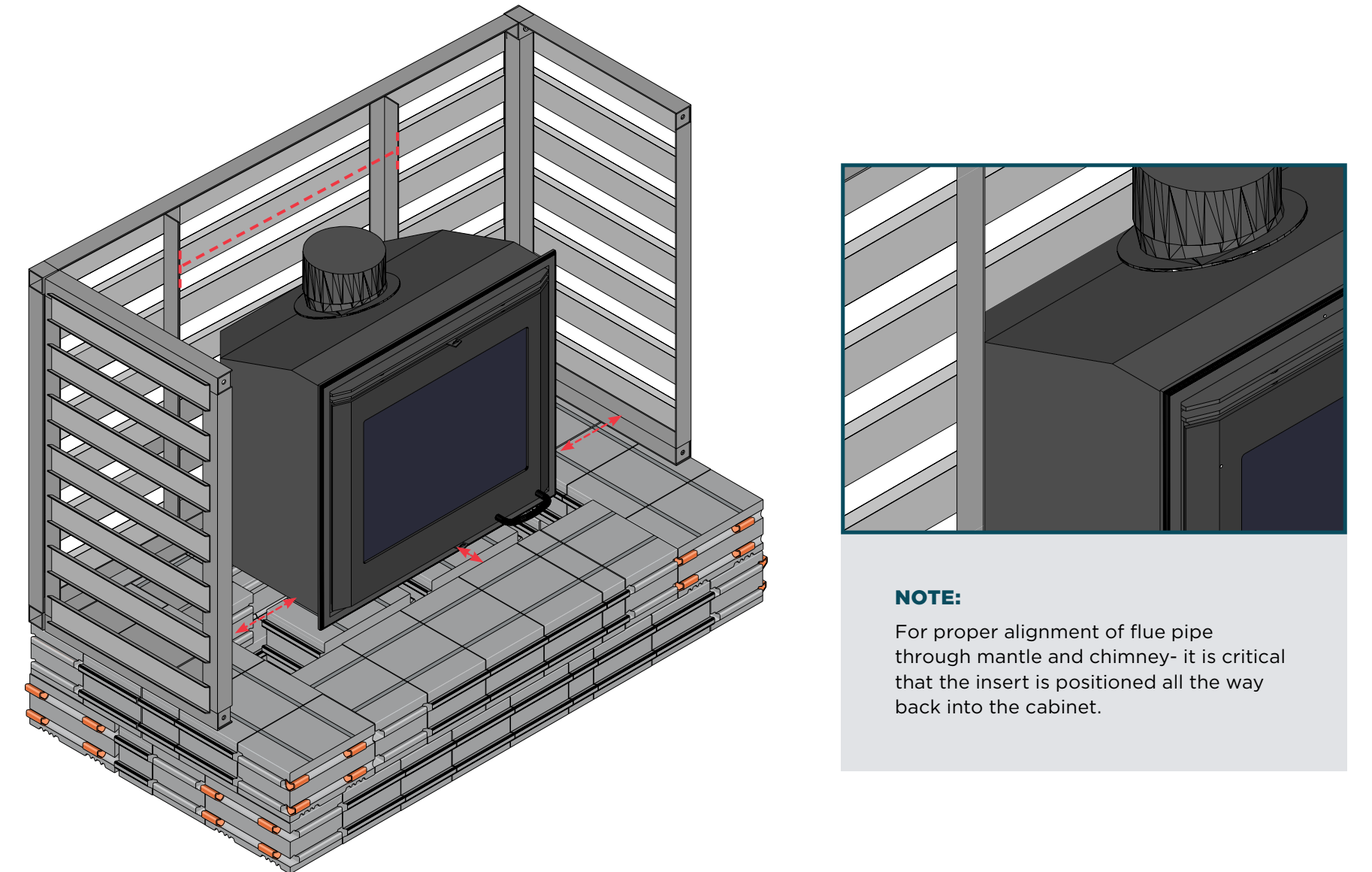
THIS LAYOUT INCLUDES A HEARTH. IF NO HEARTH IS DESIRED, WIDTH CAN BE SHORTENED BY 9 1/4" TO BE FLUSH WITH CABINET



## 36" Fireplace *Woodburning* END-CLAD ASSEMBLY

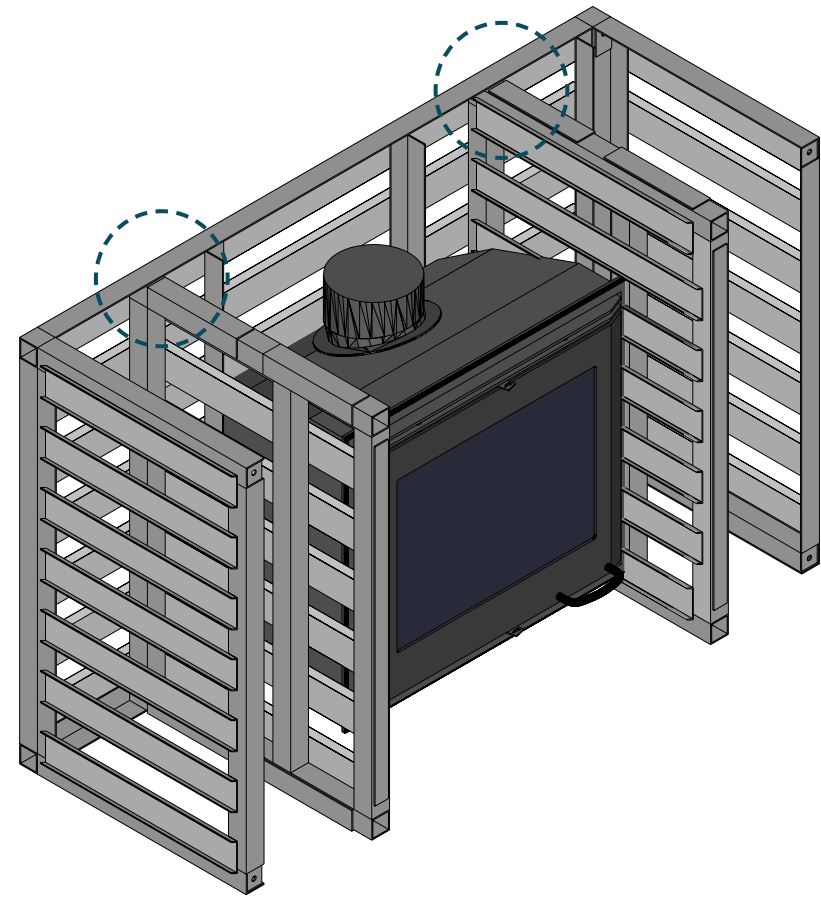


## 36" Firebox *Woodburning* INSERT ASSEMBLY



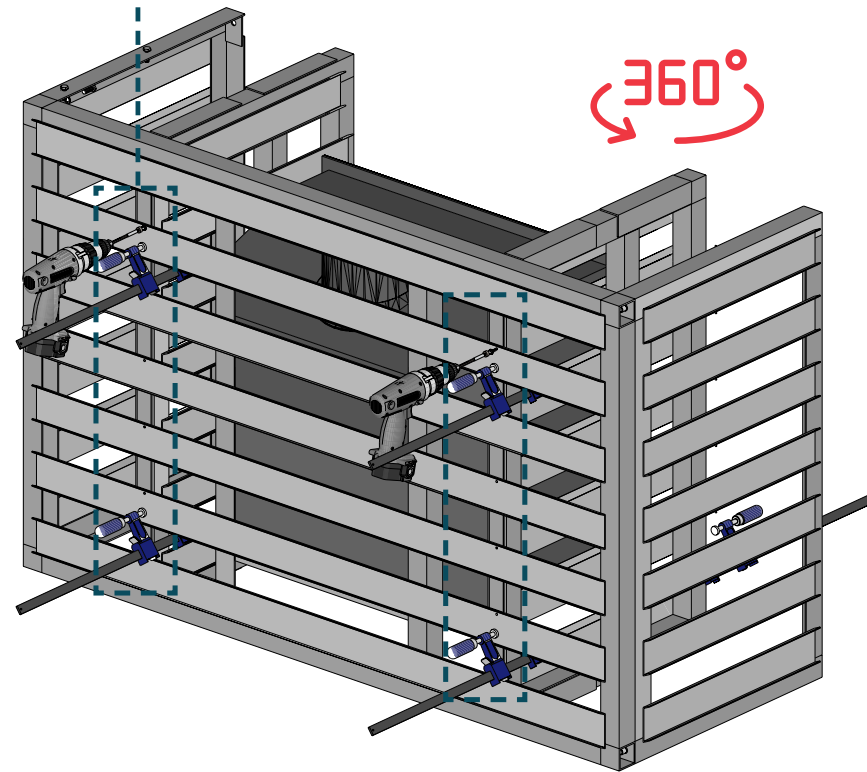
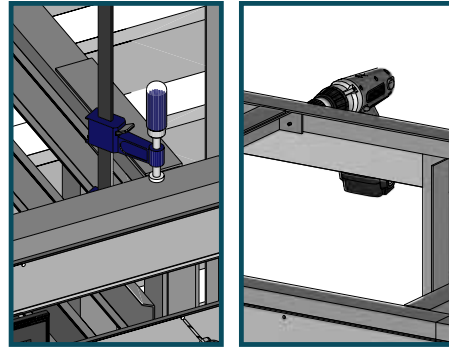


## 36" Fireplace *Woodburning* STANDARD FIREPLACE RETURN ASSEMBLY

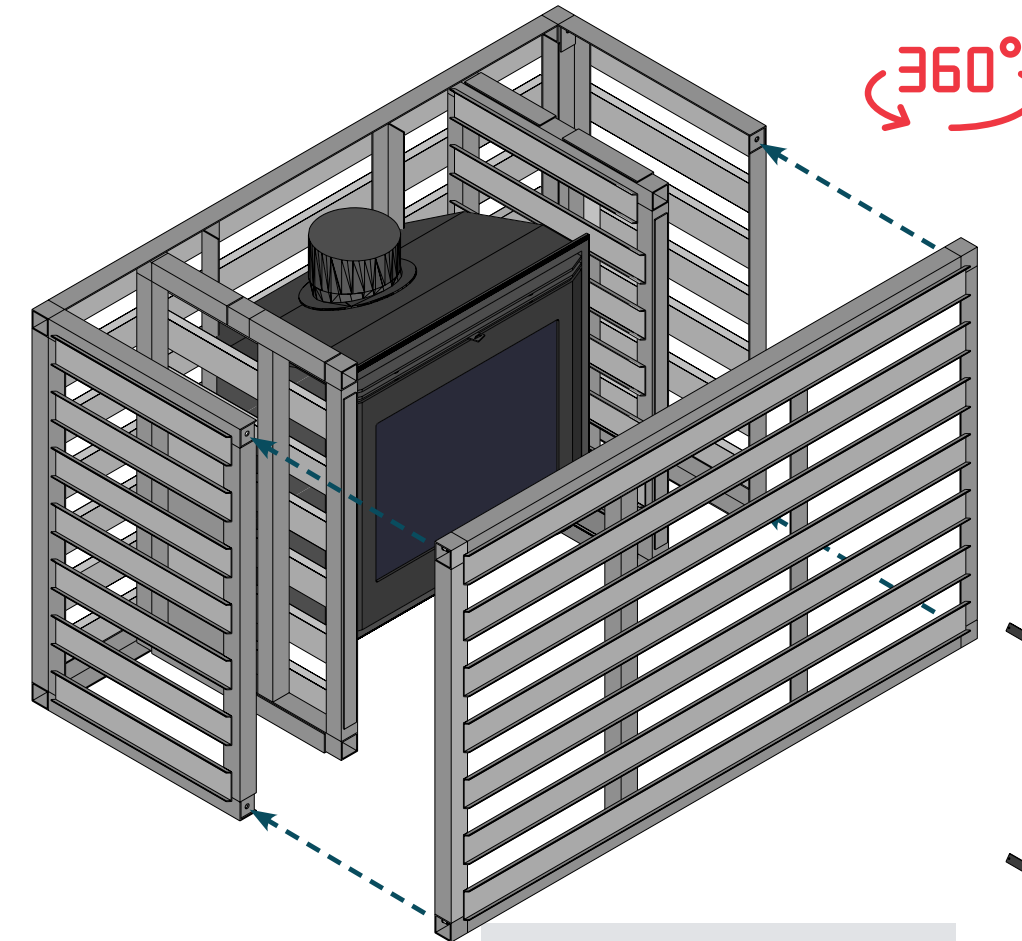


**NOTE:**

Clamp and attach using ST02 self-tapping screws. Repeat process on backside.



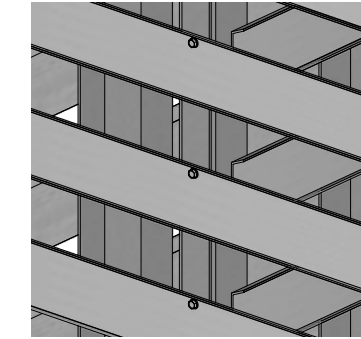
## 36" Fireplace *Woodburning* FRONT PANEL INSTALLATION



SECURE FRONT PANEL WITH INCLUDED B01 BOLTS AT EACH CORNER

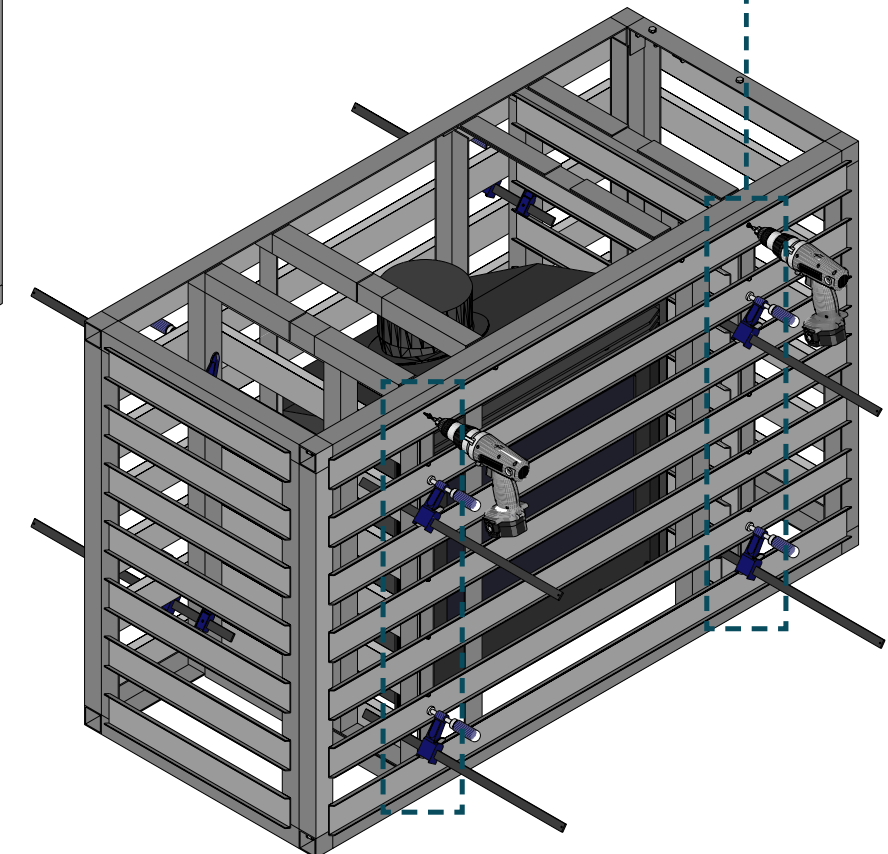
**NOTE:**

Use a clamp to keep returns aligned to desired plumb & level position while attaching self-tapping screws.

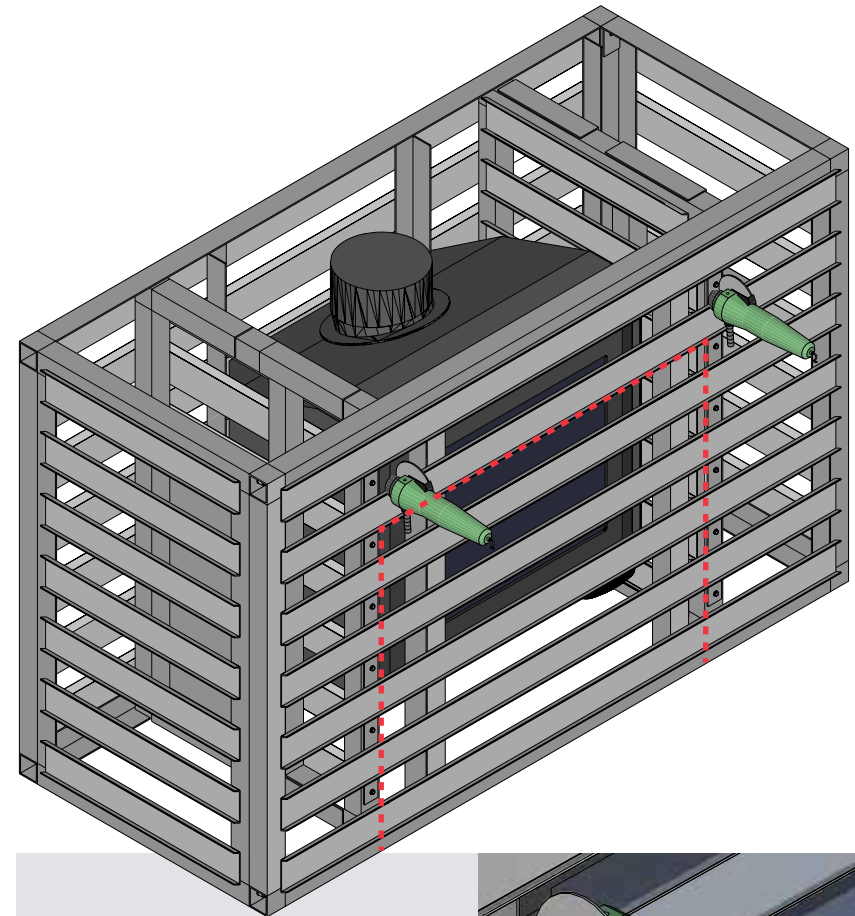


**NOTE:**

Use included ST02 Self-tapping Screws to connect return panels.

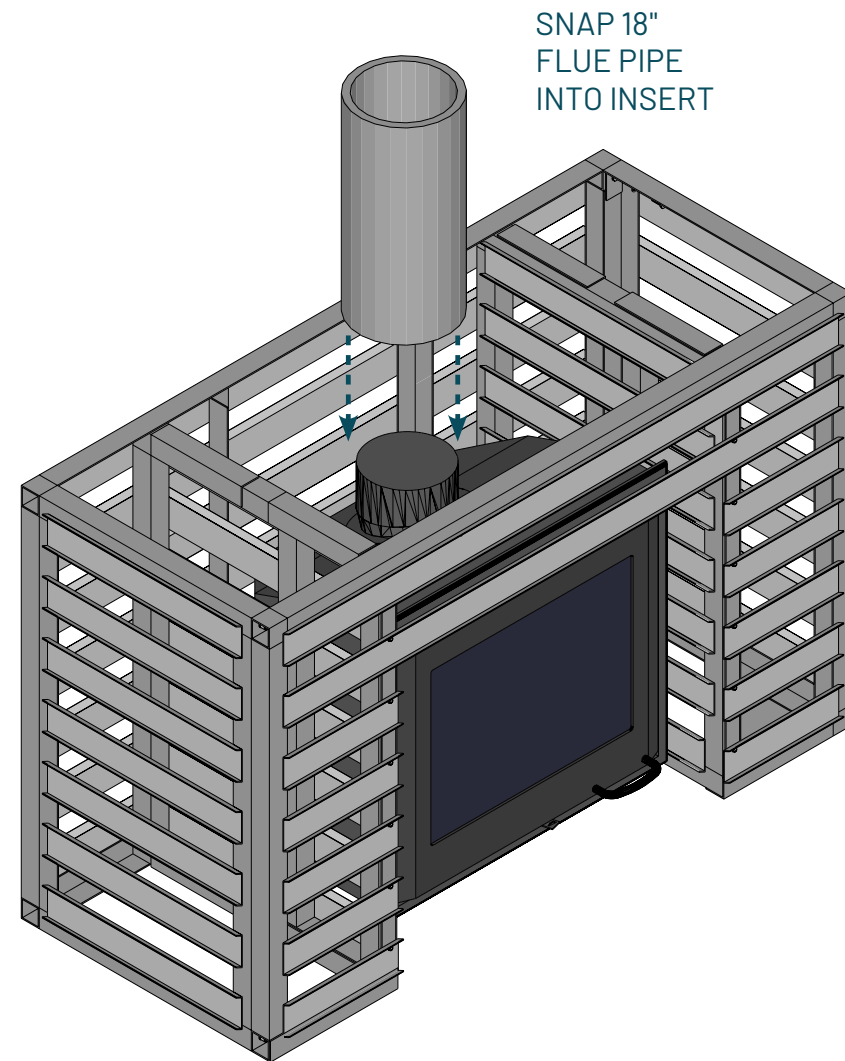
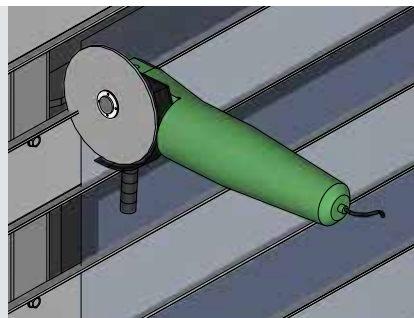


## 36" Fireplace *Woodburning* FRONT PANEL MODIFICATION



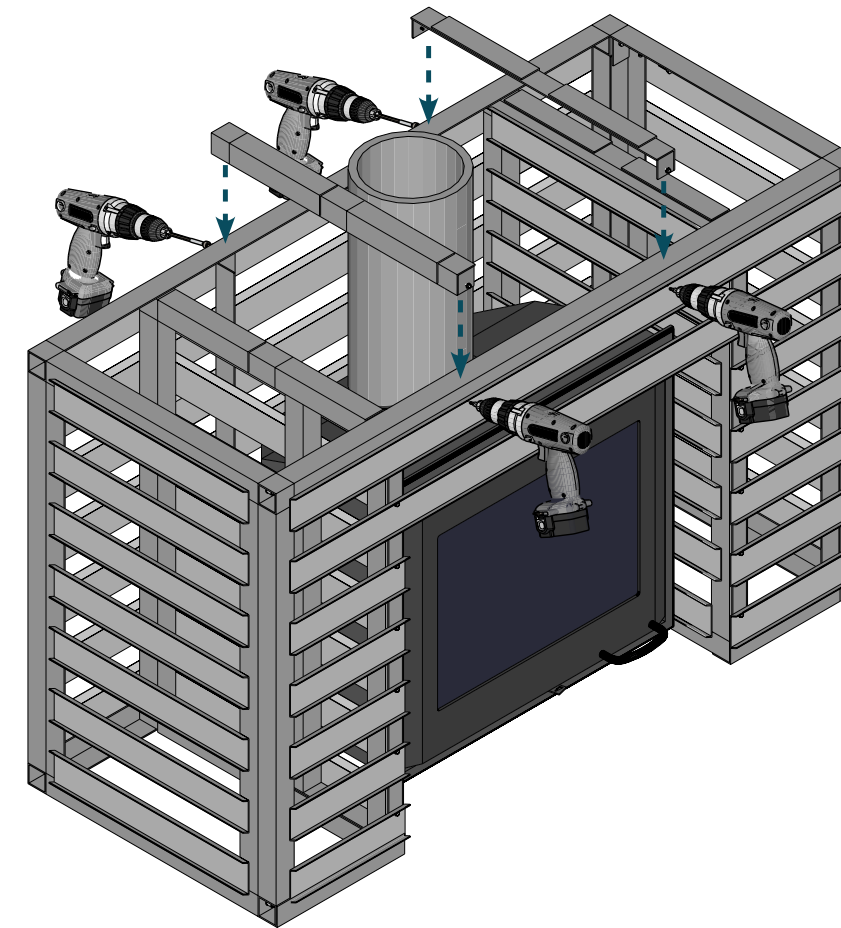
**NOTE:**

Cut will start at the edge of each interior Return panel. Center Strut will also be cut as well as bottom rail.

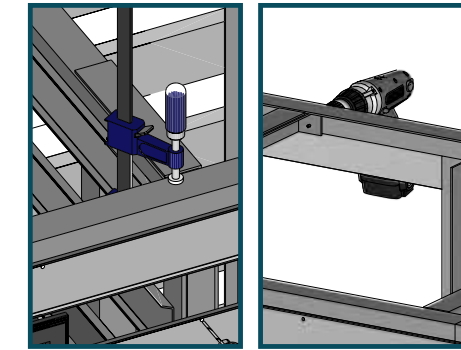


SNAP 18"  
FLUE PIPE  
INTO INSERT

## 36" Fireplace *Woodburning* HAR & FLUE INSTALLATION

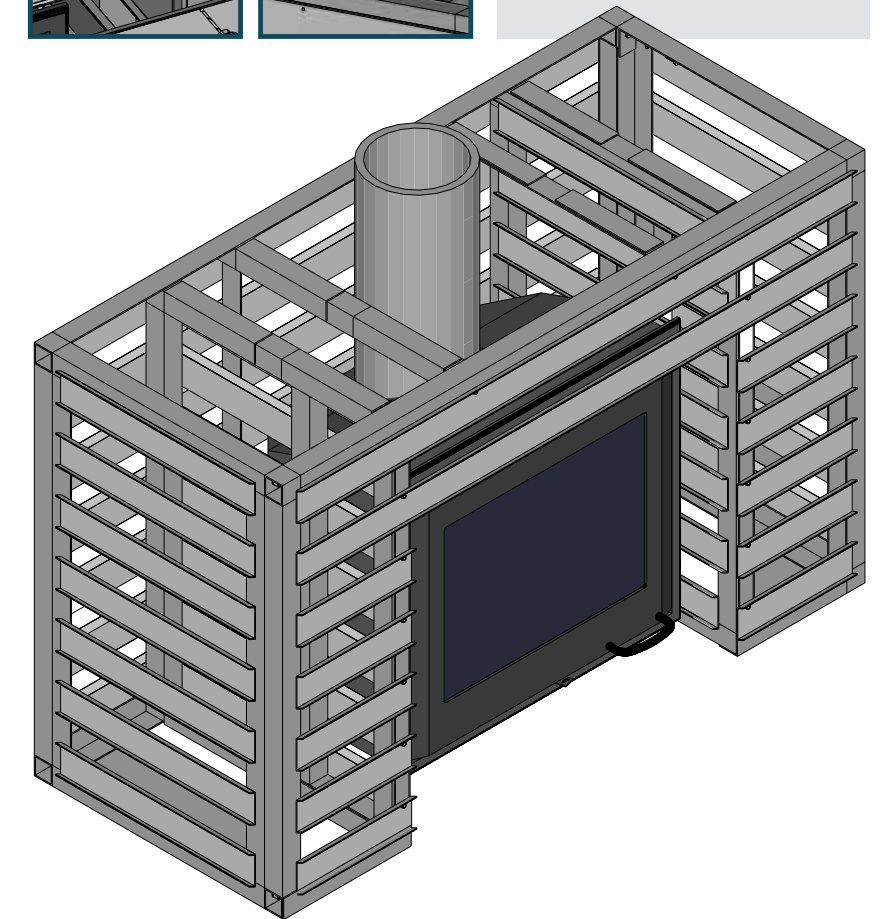


ADJUST HAR ON BOTH SIDES OF THE FLUE PIPE TO HELP KEEP IT ALIGNED. THESE WILL BE TUCKED UNDER THE TOP ANGLE RAIL.



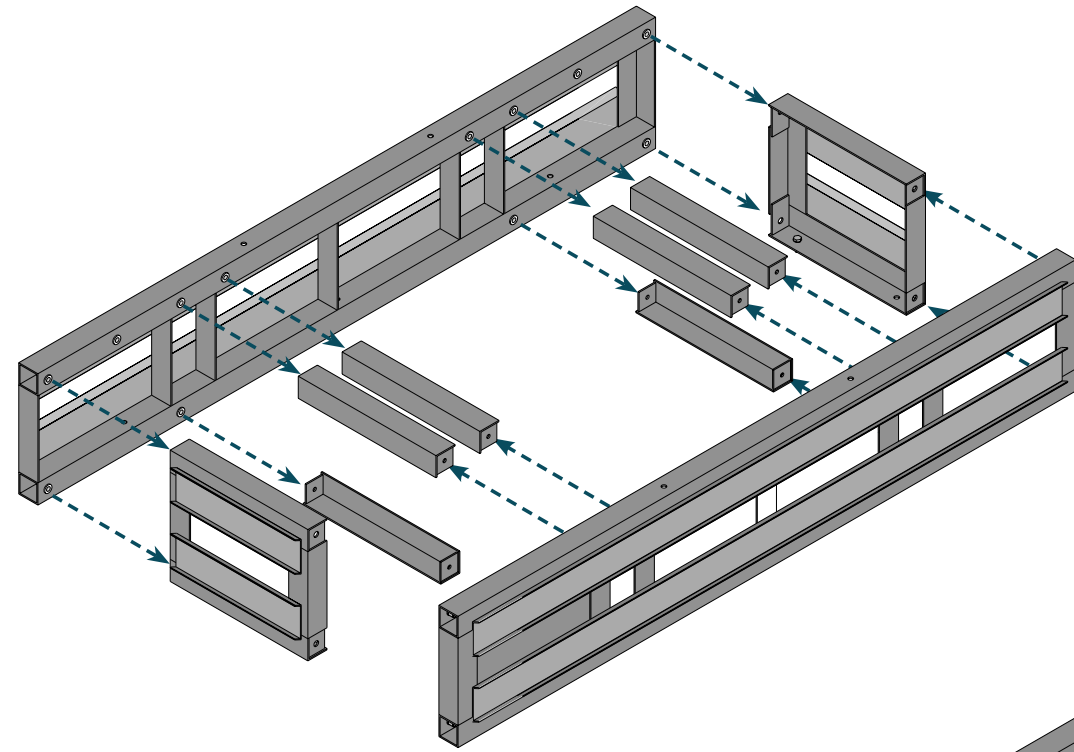
**NOTE:**

Clamp and attach using ST02 Self-tapping screws. Repeat process on backside.



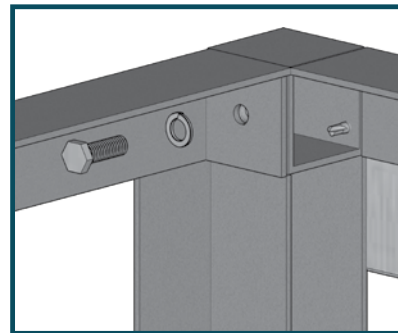
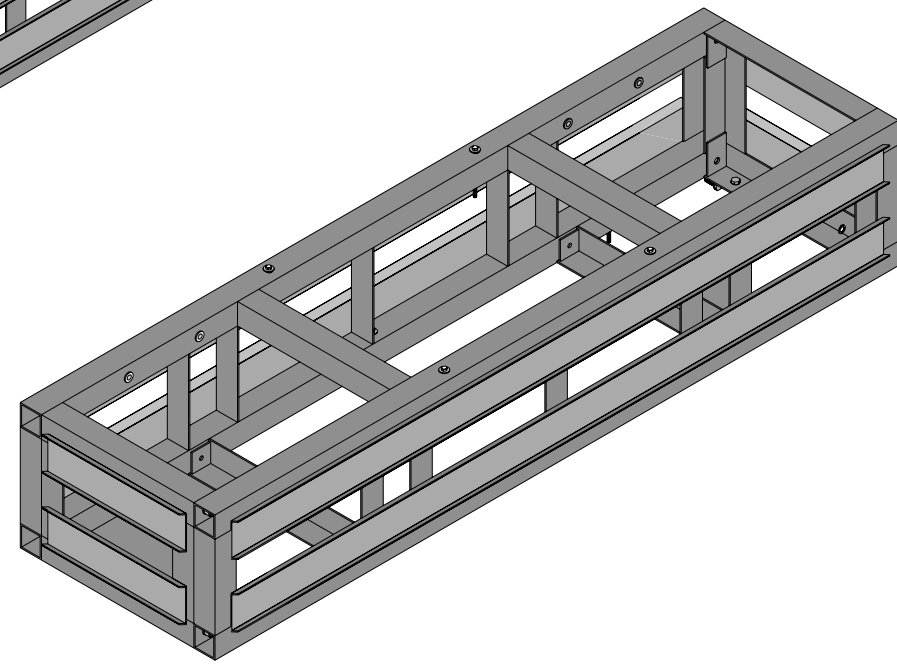


## 36" Fireplace *Woodburning* STANDARD MANTLE INSTALLATION



**NOTE:**

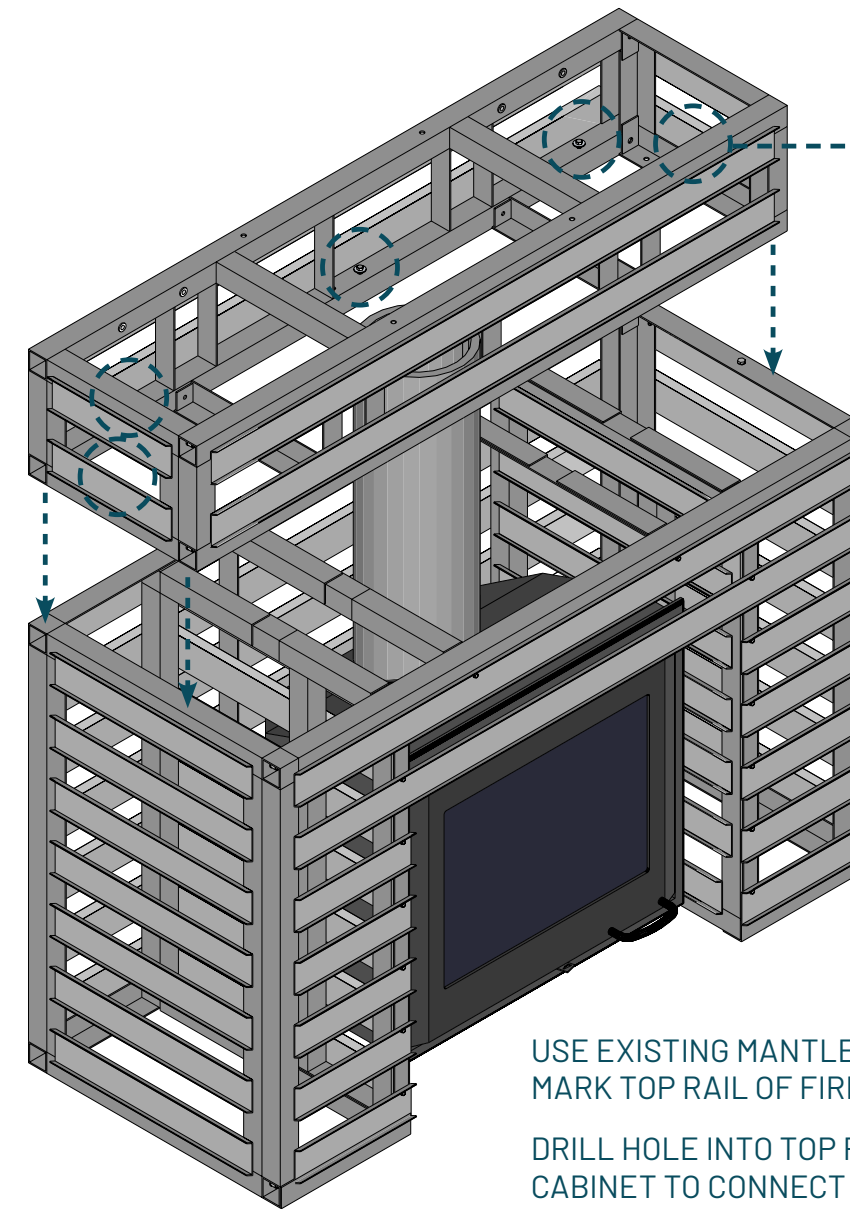
Attach both ends and then bolt on the interior strut supports.



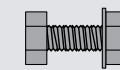
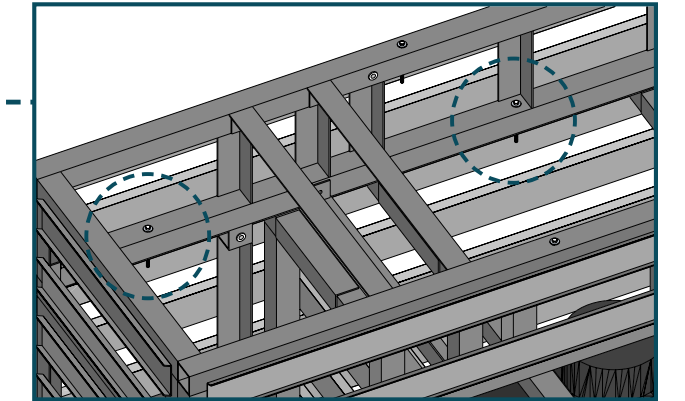
**NOTE:**

Hand tighten all components first. Once entire unit is connected, securely tighten with impact/wrench.

## 36" Fireplace *Woodburning* STANDARD MANTLE INSTALLATION (CONTINUED)



USE EXISTING MANTLE BOLT HOLES TO MARK TOP RAIL OF FIREPLACE CABINET  
DRILL HOLE INTO TOP RAIL OF FIREPLACE CABINET TO CONNECT USING 3" BOLTS



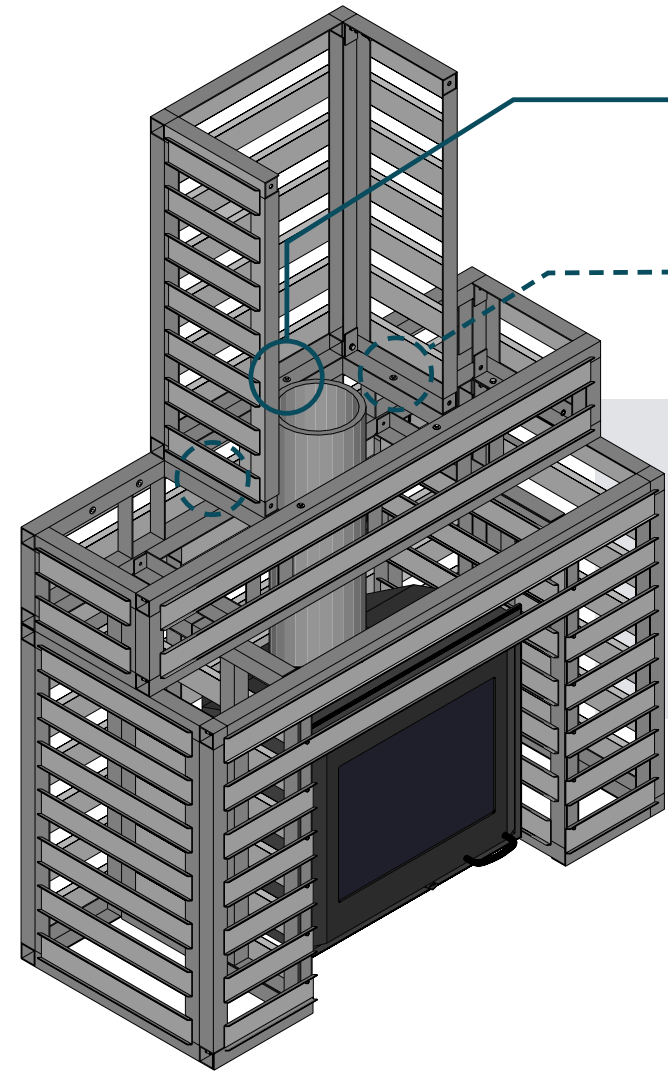
B01 Bolts are to be used to connect the end panels.


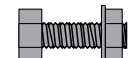


3" bolts are to be used on front and back panel attachment and 1" bolts are for the left and right panel.

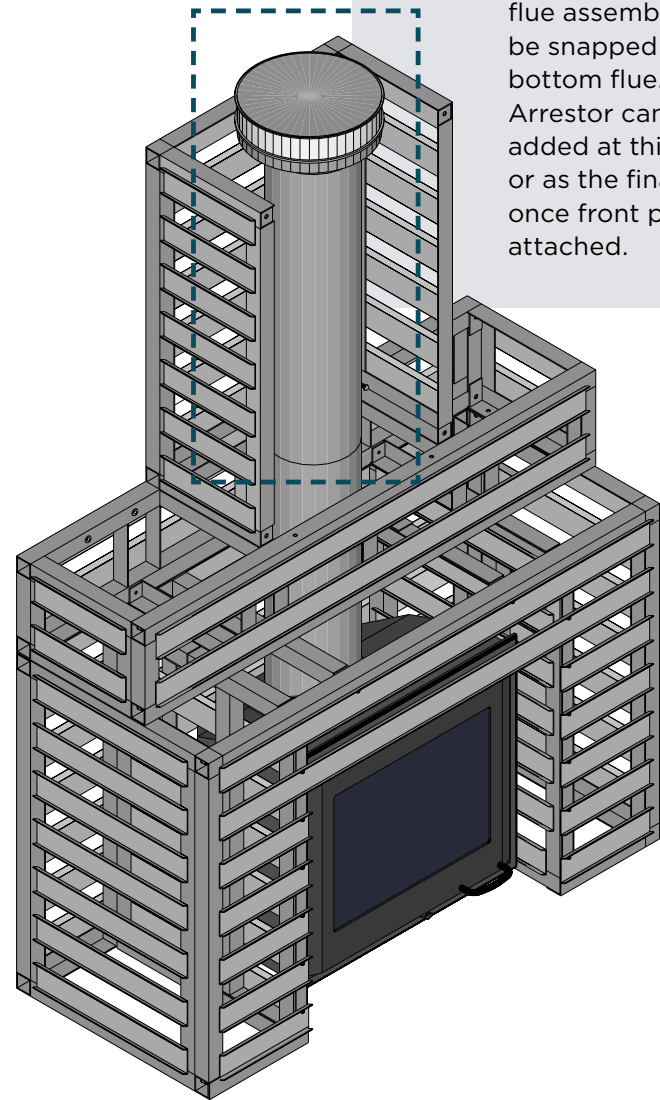
# 36" Fireplace *Woodburning*

## STANDARD CHIMNEY INSTALLATION



-  **B03**..... 6x  
3" Bolt & Locking Nut
-  **B01**..... 8x  
9/16" Bolt

3" bolts are to be used on front and back panel attachment and 1" bolts are for the left and right panel.

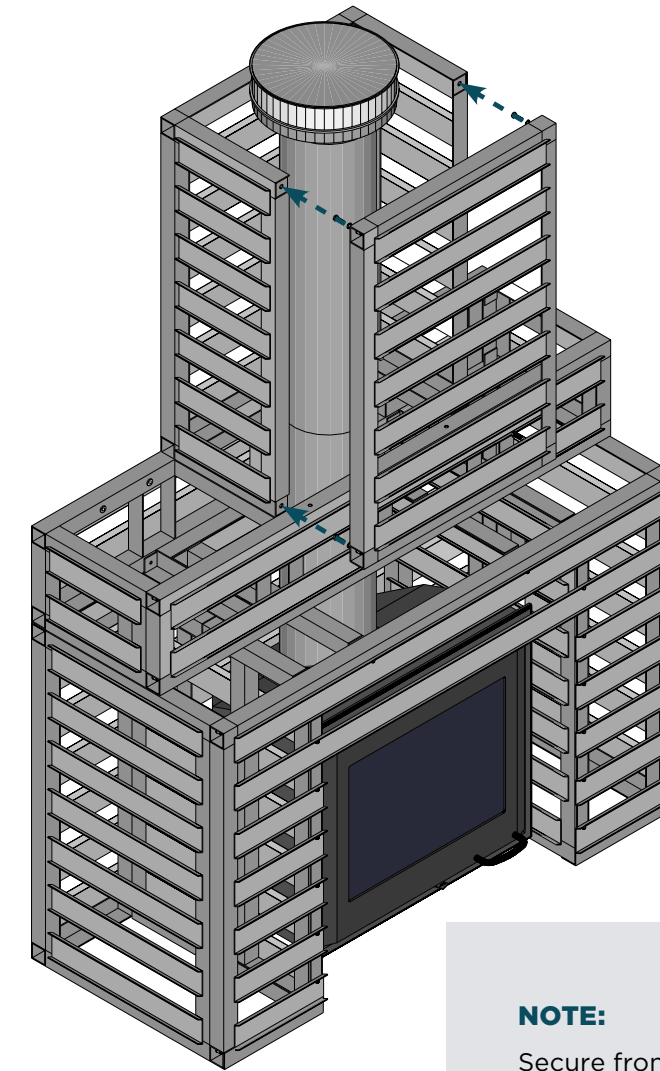


**NOTE:**

Remaining 36" flue assembly can be snapped in to bottom flue. Spark Arrestor can also be added at this point or as the final step once front panel is attached.

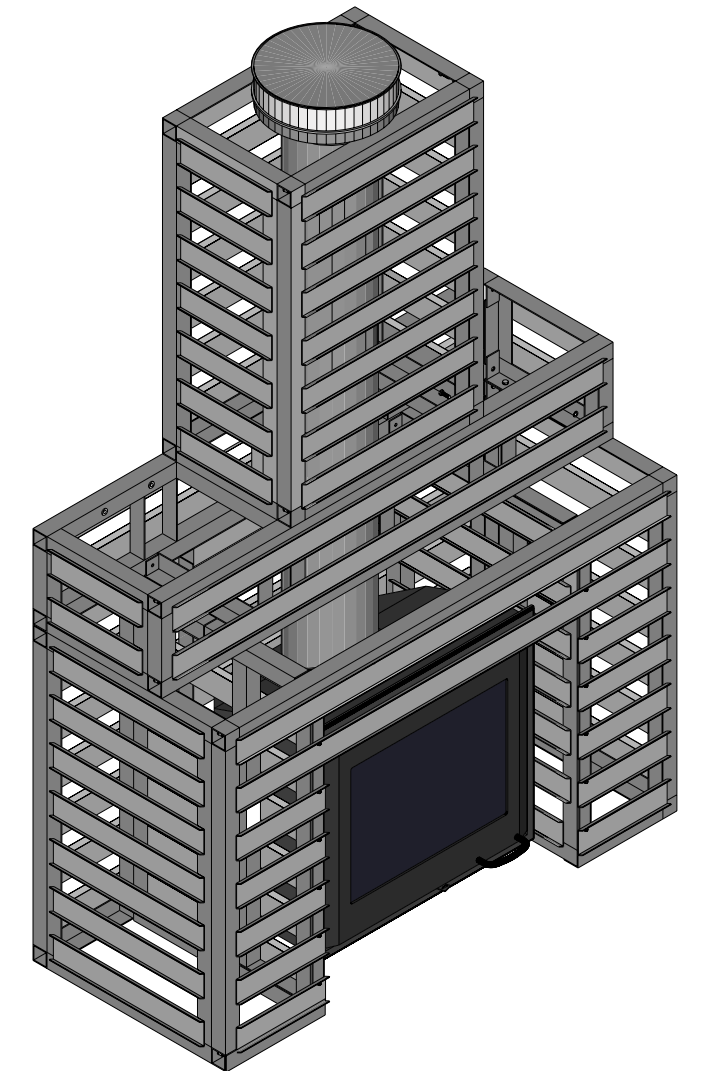
# 36" Fireplace *Woodburning*

## STANDARD CHIMNEY INSTALLATION (CONTINUED)



**NOTE:**

Secure front Chimney Panel using included B01 bolts.





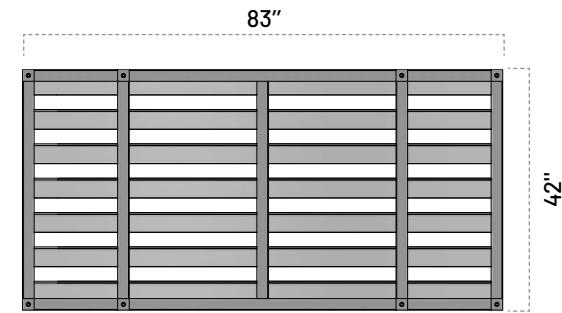
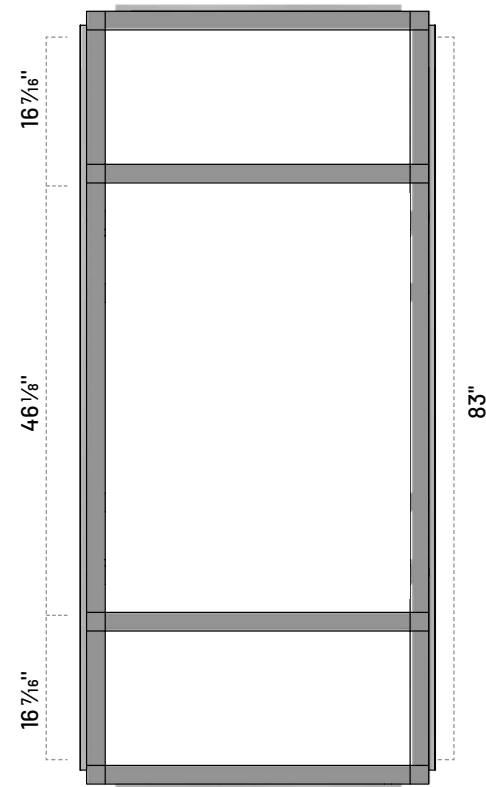
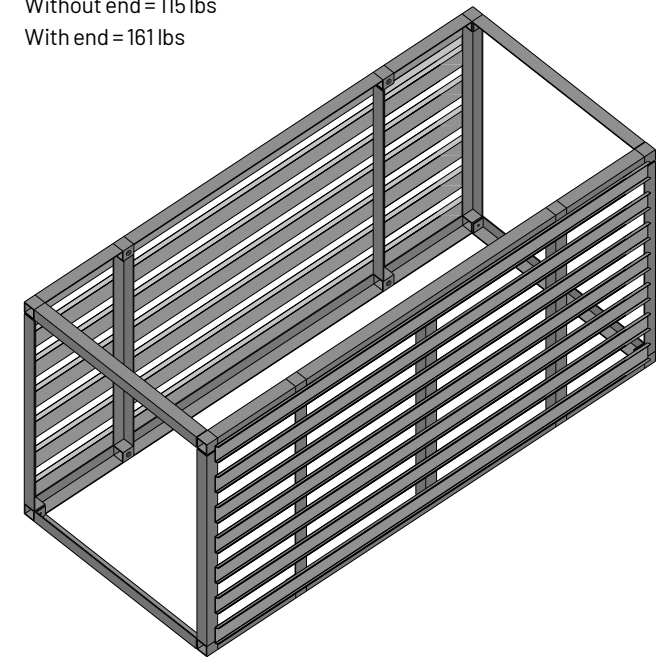
# See-Thru Fireplace *Natural Gas*

## CABINET COMPONENTS

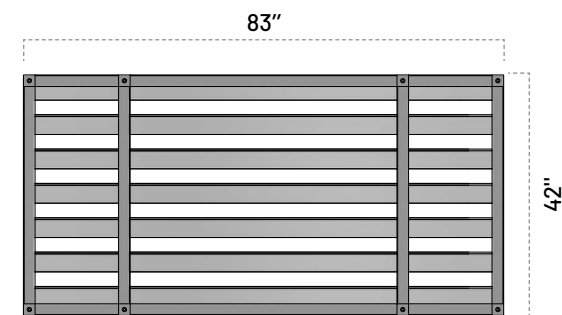
UL-FIR

**DIMENSIONS**  
**WITH FASCIA PANEL**  
 41 3/4" x 88" (Outside To Outside)

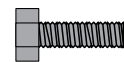
**WEIGHT**  
 Without end = 115 lbs  
 With end = 161 lbs



**UL-FIR-FP** ..... 1PC  
 Fireplace Cabinet Front Panel



**UL-FIR-BP** ..... 1PC  
 Fireplace Cabinet Back Panel



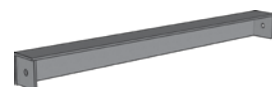
**B01** ..... 8x  
 9/16" Bolt



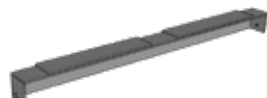
**ST02** ..... 14x  
 1/4" Self-Tap Screw



**LW01** ..... 8x  
 3/8" Lock Washer



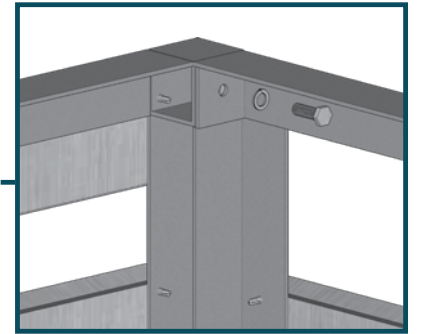
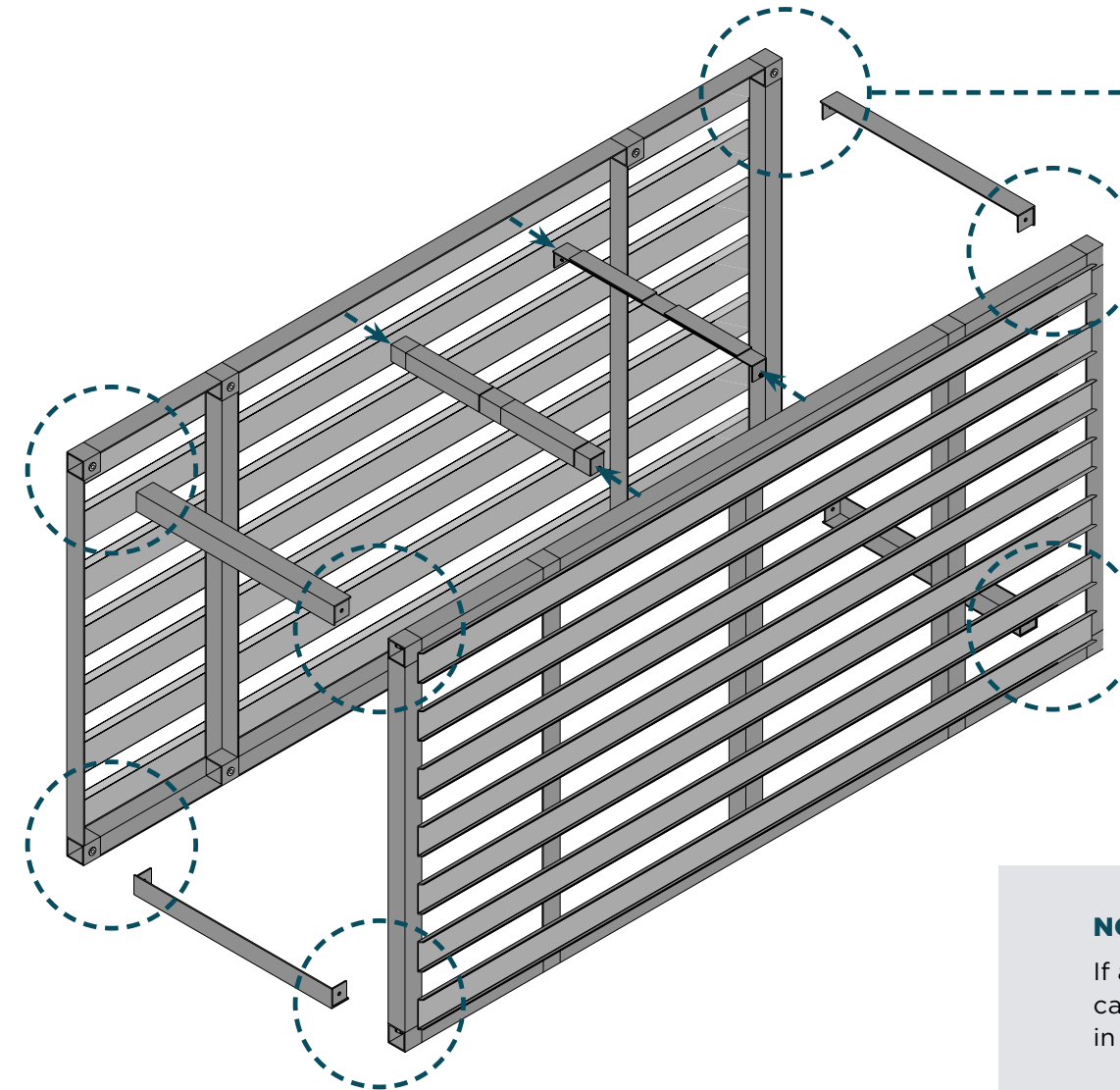
**ULCS** ..... 4x  
 Connecting Strut



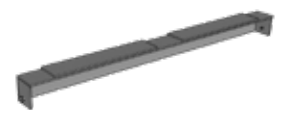
**ULHAR** ..... 2x  
 Horizontal Adjustable Rail

# See-Thru Fireplace *Natural Gas*

## CABINET COMPONENTS (CONTINUED)



**NOTE:**  
 Always use included lock washer with 9/16" bolt connection on each corner (8 total).



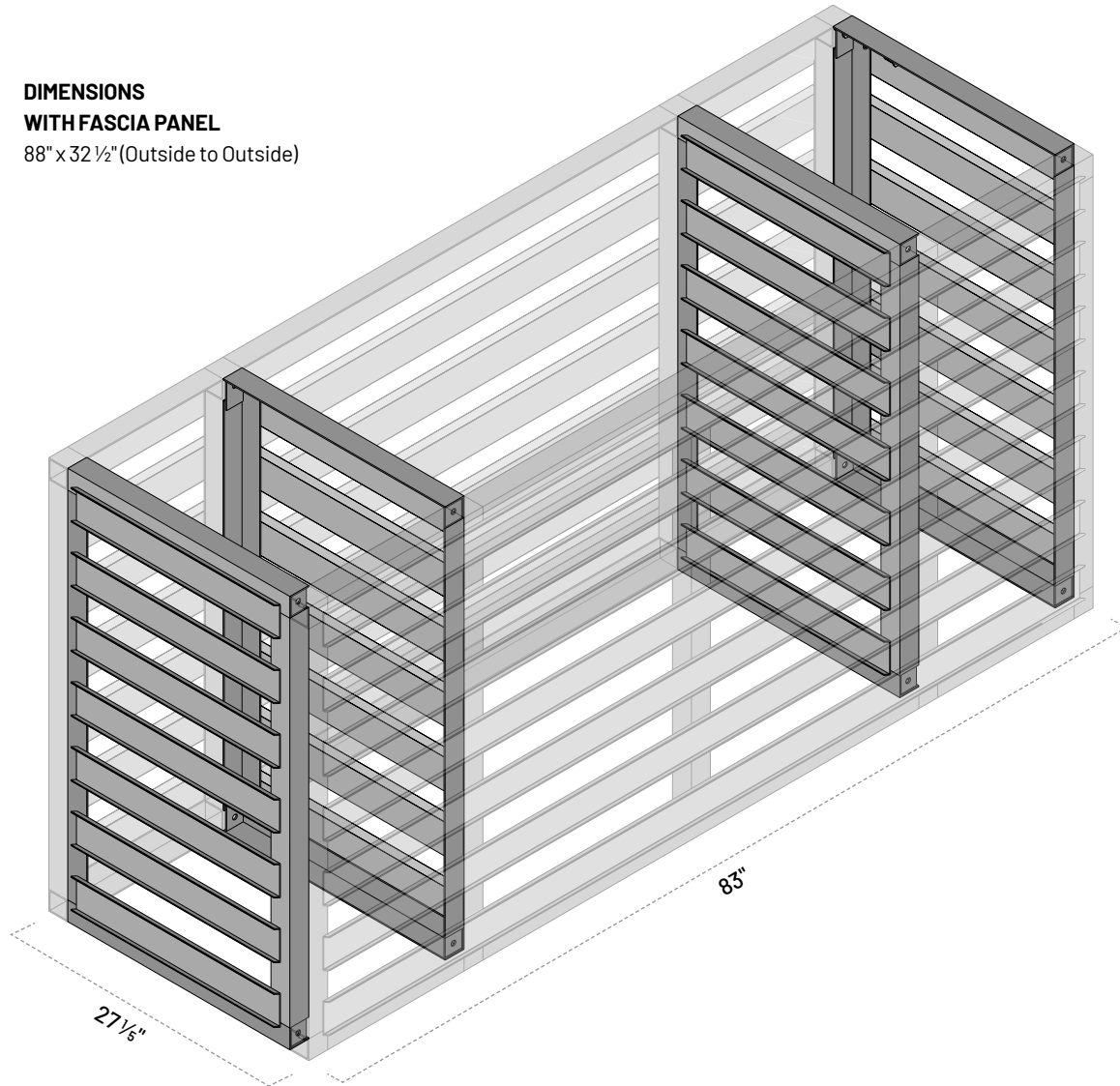
**ULHAR** ..... 2x  
 Horizontal Adjustable Rail

**NOTE:**  
 If adding side walls or connecting to other cabinets use this method along with 2 ECK's in the interior connected positions.

# See-Thru Fireplace *Natural Gas*

## STANDARD END-CLAD OPTION

**DIMENSIONS  
WITH FASCIA PANEL**  
88" x 32 1/2" (Outside to Outside)

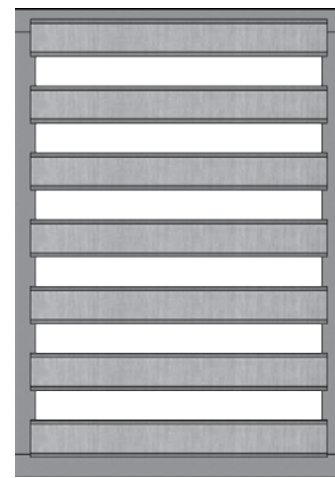


UL-ECK

**NOTE:**

4 Standard End Clad (ECK) are needed to achieve this build.

23 1/2"

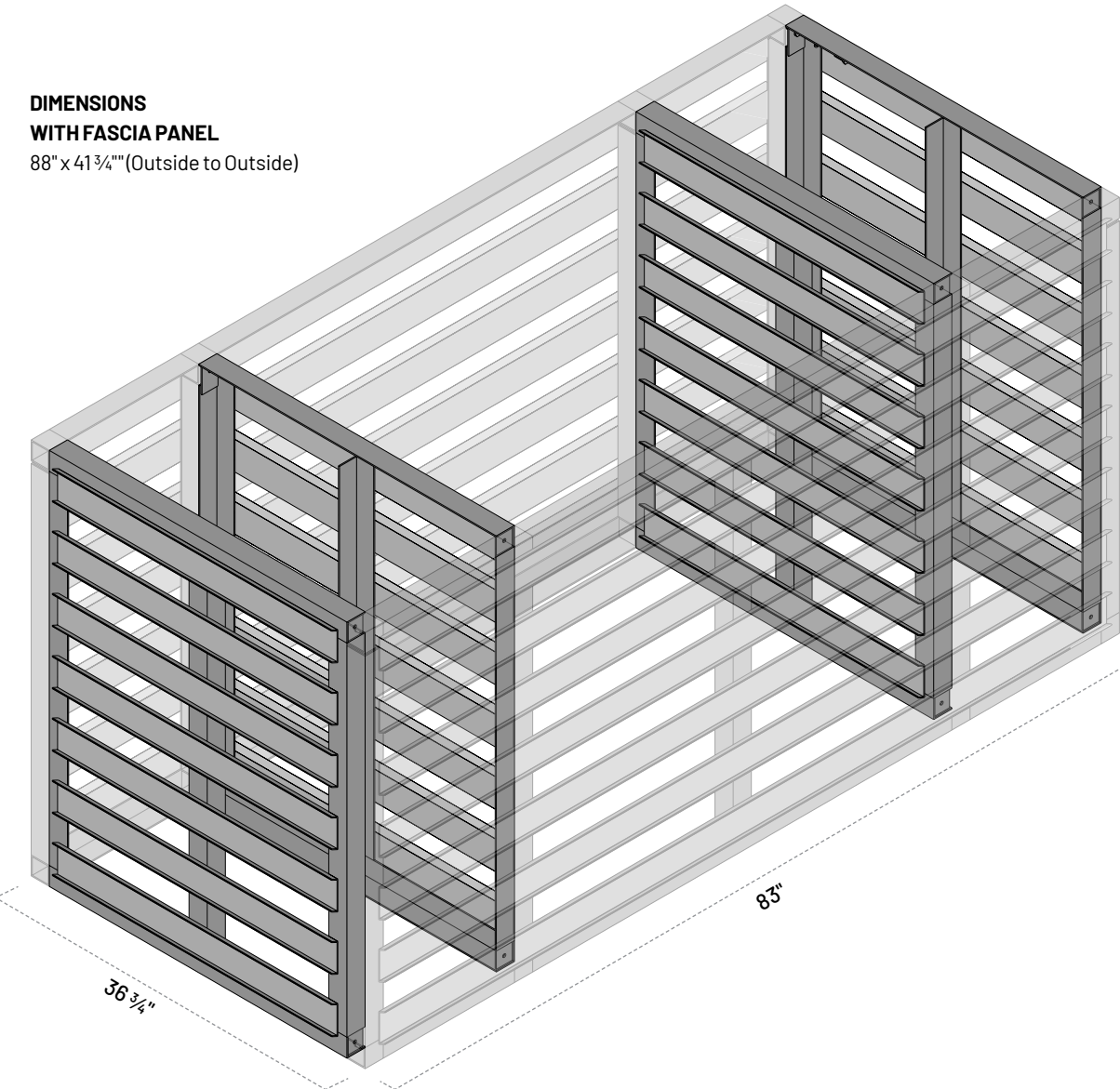


UL-ECK ..... 4x  
End Clad Panel Standard

# See-Thru Fireplace *Natural Gas*

## OVERSIZED END-CLAD OPTION

**DIMENSIONS  
WITH FASCIA PANEL**  
88" x 41 3/4" (Outside to Outside)

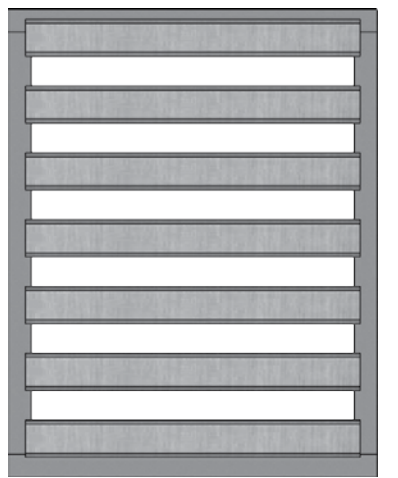


UL-ECK-OS

**NOTE:**

4 Oversized End Clads (ECK-OS) are needed to achieve this build.

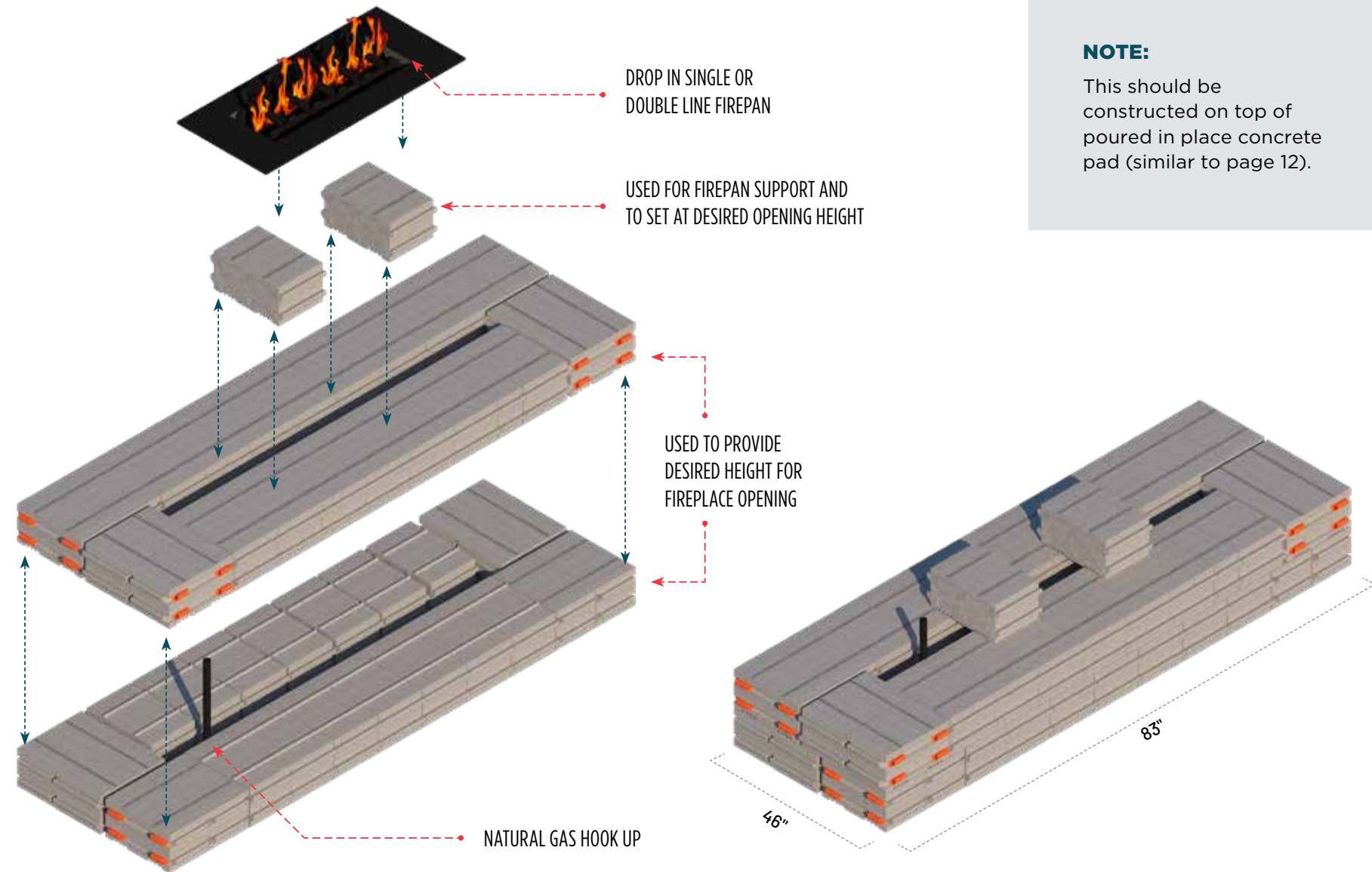
32 3/4"



UL-ECK-OS ..... 4x  
End Clad Panel Oversized



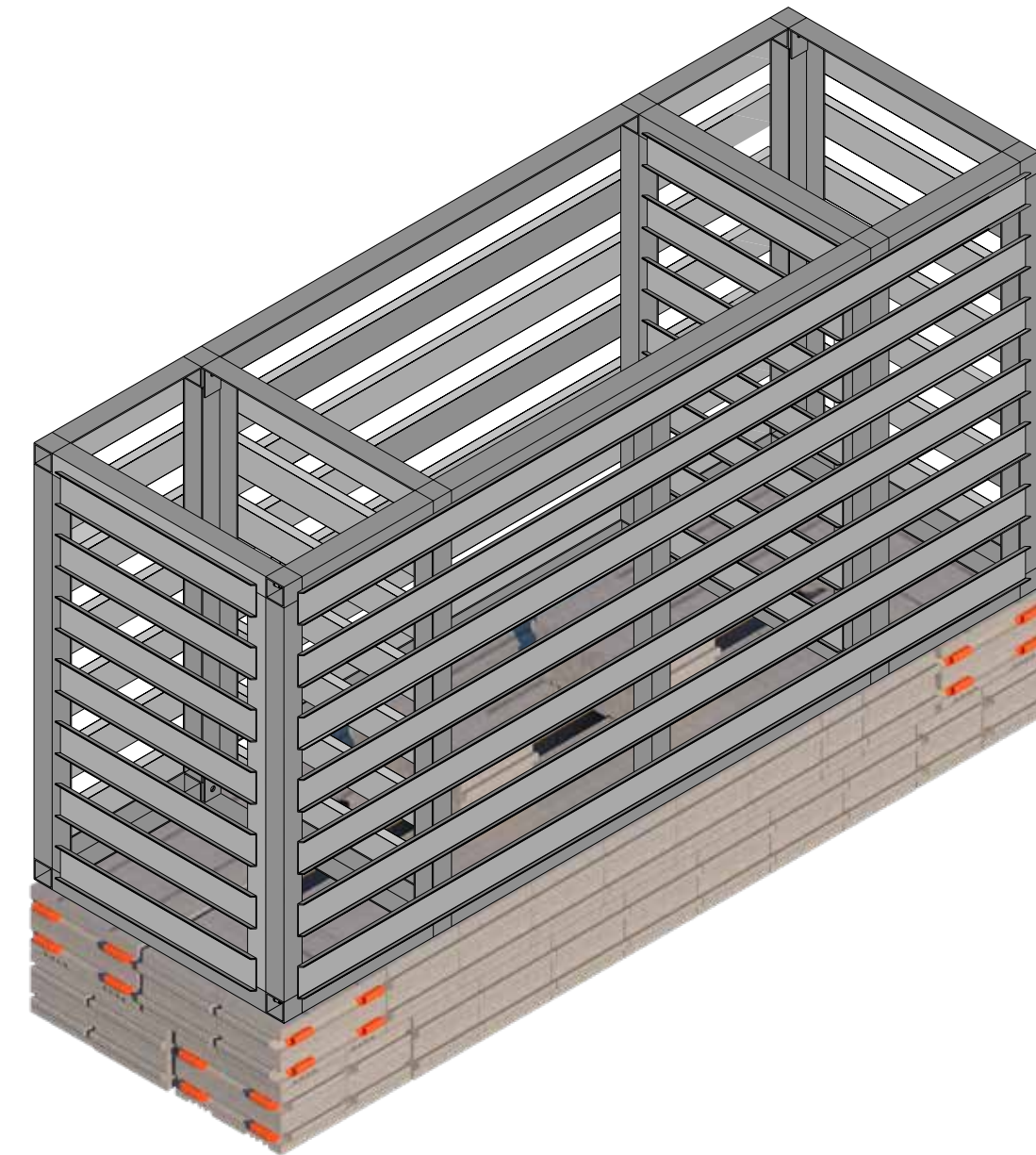
## See-Thru Fireplace *Natural Gas* BACKER BLOCK ADJUSTABLE BASE



**NOTE:**

This should be constructed on top of poured in place concrete pad (similar to page 12).

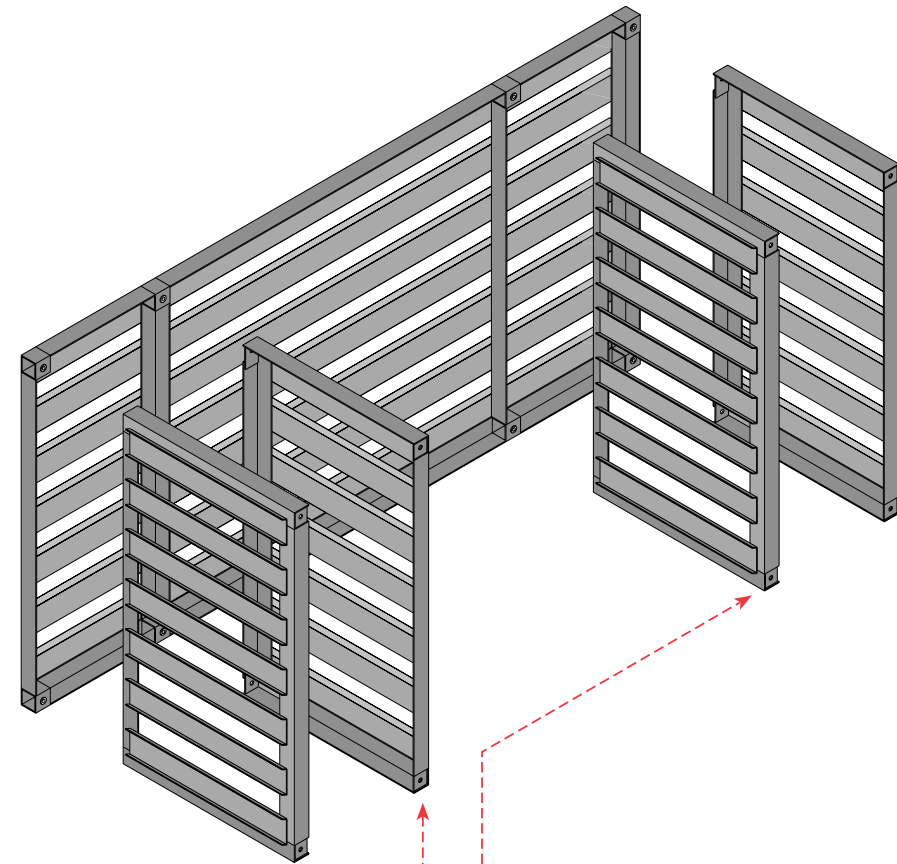
## See-Thru Fireplace *Natural Gas* BACKER BLOCK ADJUSTABLE BASE (CONTINUED)



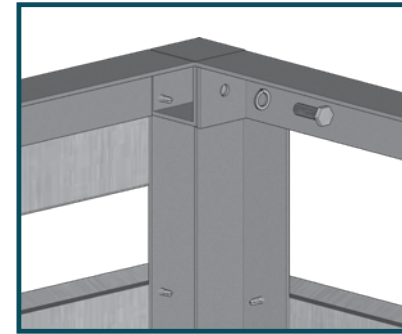
**NOTE:**

Fireplace Cabinet will sit flush with backer base to provide desired overall height.

# See-Thru Fireplace *Natural Gas* ASSEMBLY

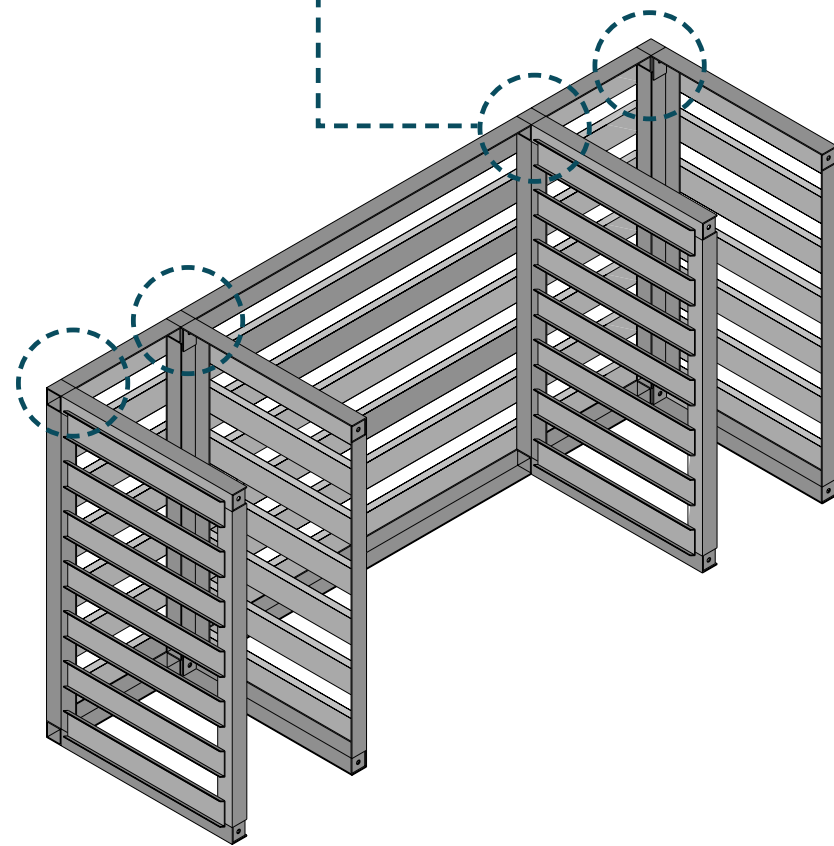


ENSURE THE 2 INTERIOR END CLADS  
ARE FACING INWARD AND RAILS  
ARE FACING UPWARD

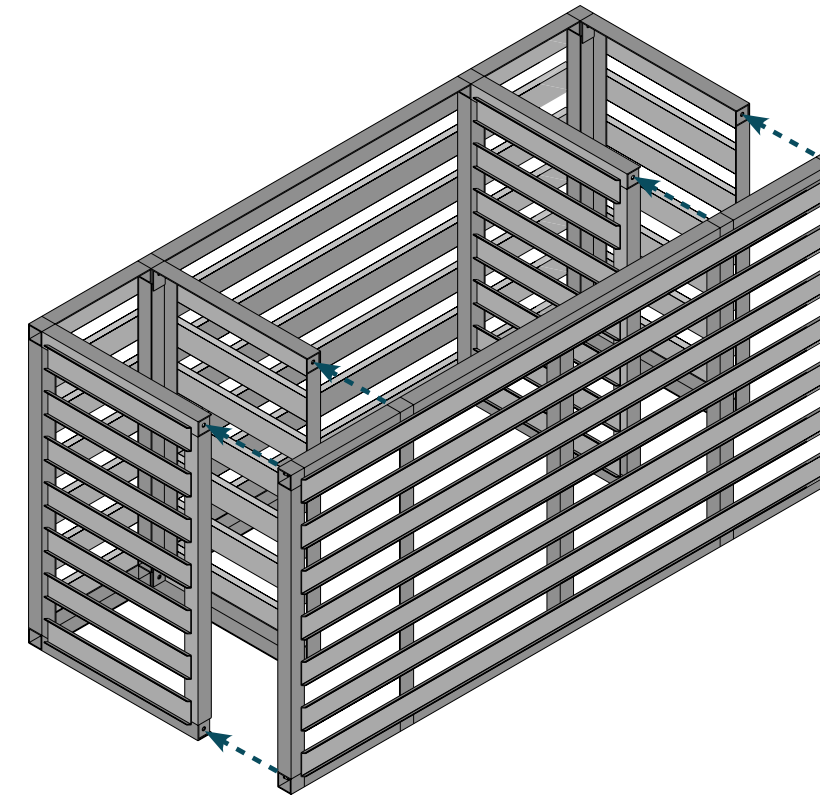


**NOTE:**

Use predetermined  
connection points  
to attach the  
4 End Clads.



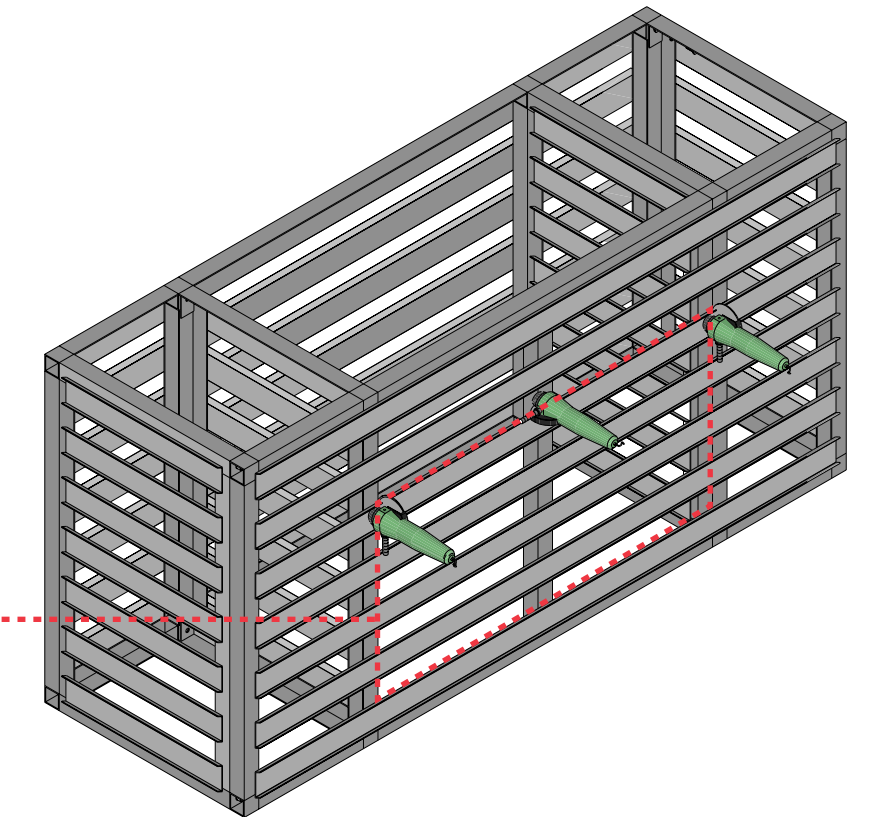
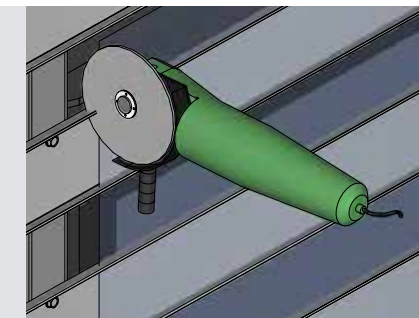
# See-Thru Fireplace *Natural Gas* ASSEMBLY (CONTINUED)



ATTACH THE FRONT PANEL USING  
INCLUDED HARDWARE AND SECURELY  
TIGHTEN ALL BOLTS

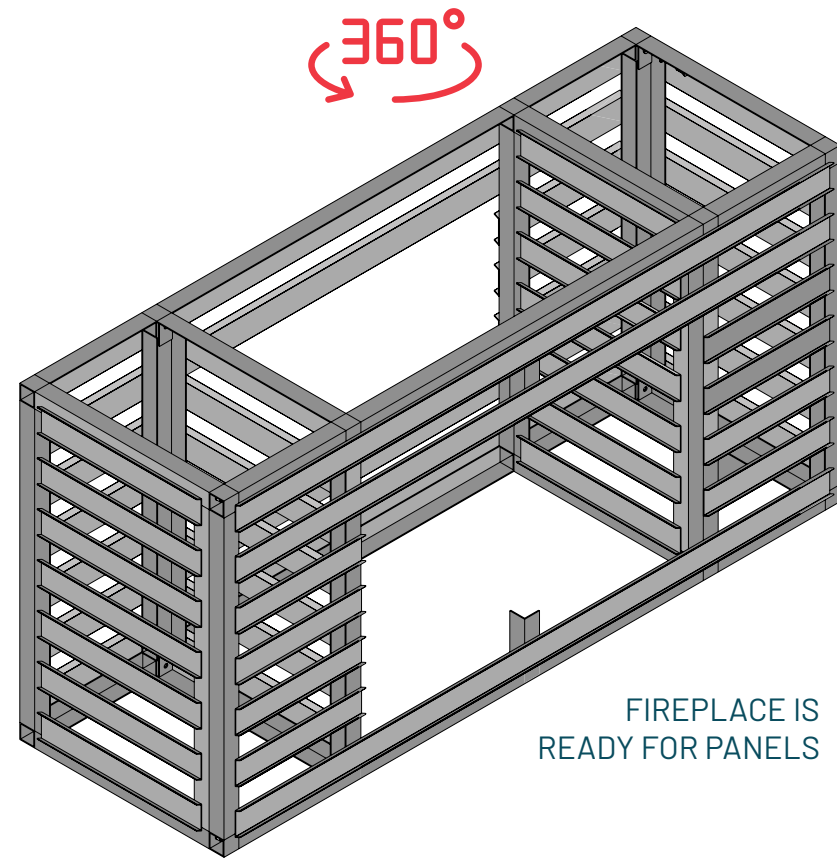
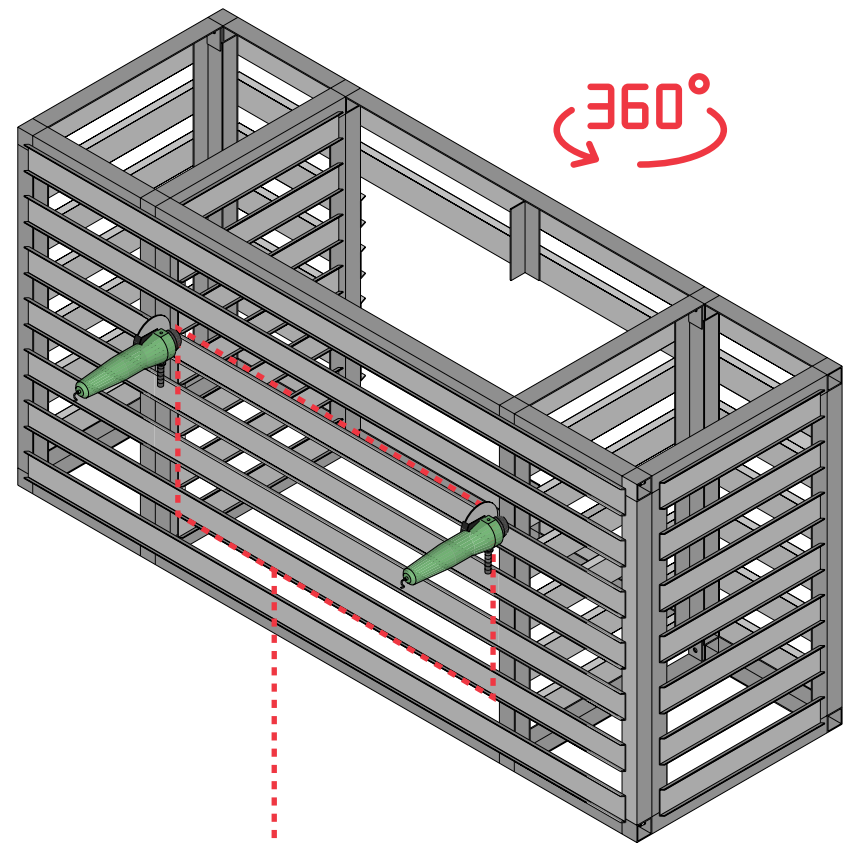
**NOTE:**

Cut will start at the edge  
of each interior End Clads.  
Center Strut will also be cut.  
Bottom Rail along with the  
top 2 rails will stay intact.



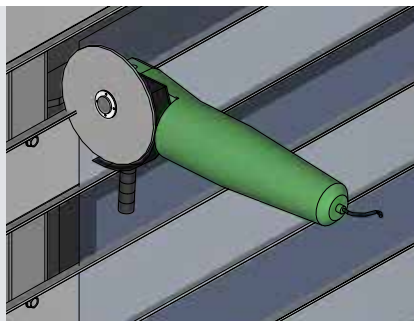


## See-Thru Fireplace *Natural Gas* OVERSIZED RETURN PANEL

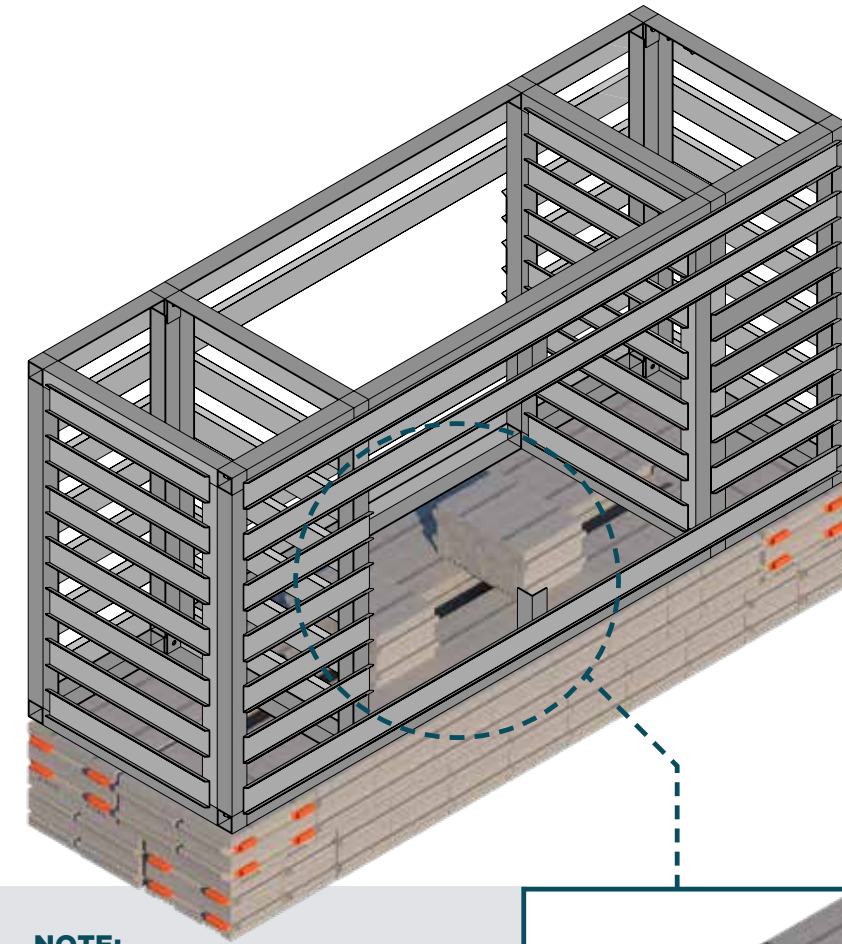


**NOTE:**

To achieve see-thru effect, repeat cutting process from front panel on back panel.

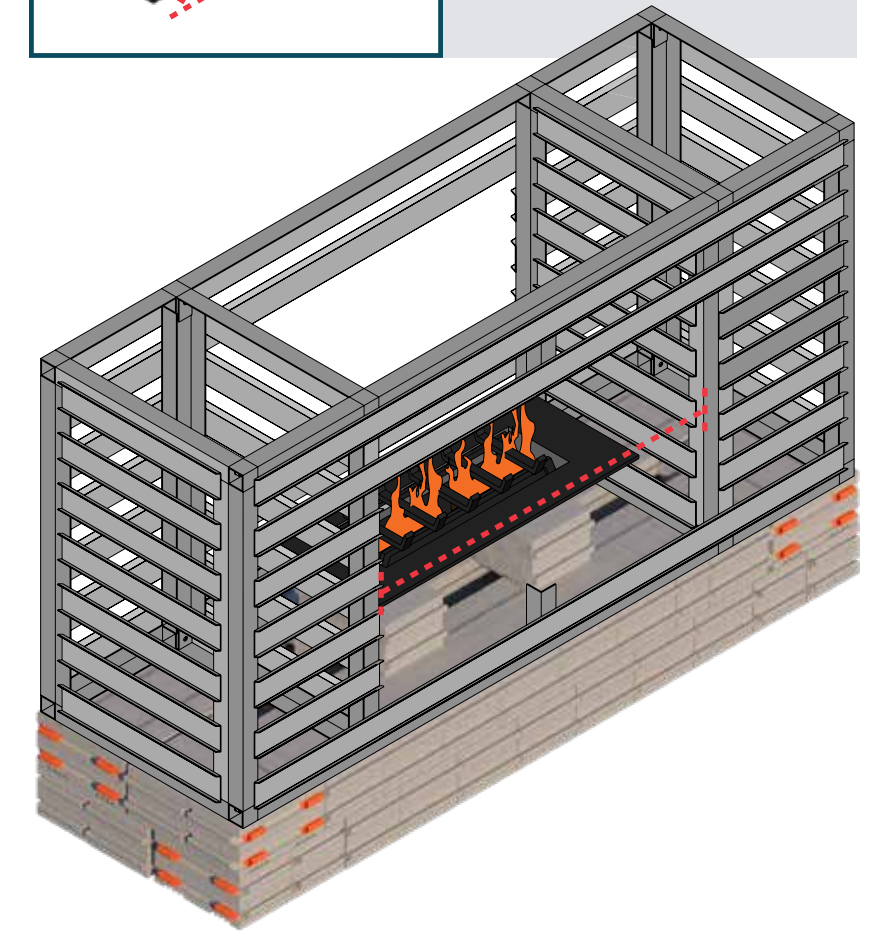


## See-Thru Fireplace *Natural Gas* FIREPAN ASSEMBLY



**NOTE:**

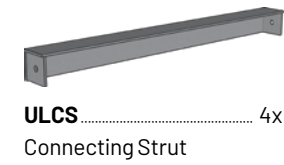
Place backer blocks in the center equally spaced apart for pan support. Top connection lugs will need to be removed with a hammer and chisel to provide a flat surface for fire pan placement.



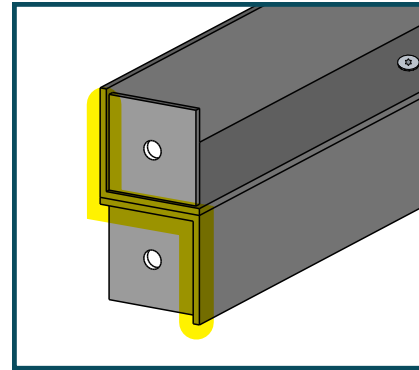
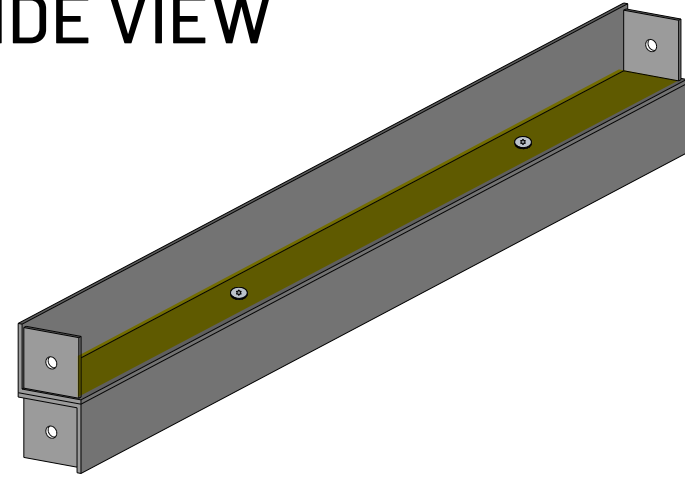
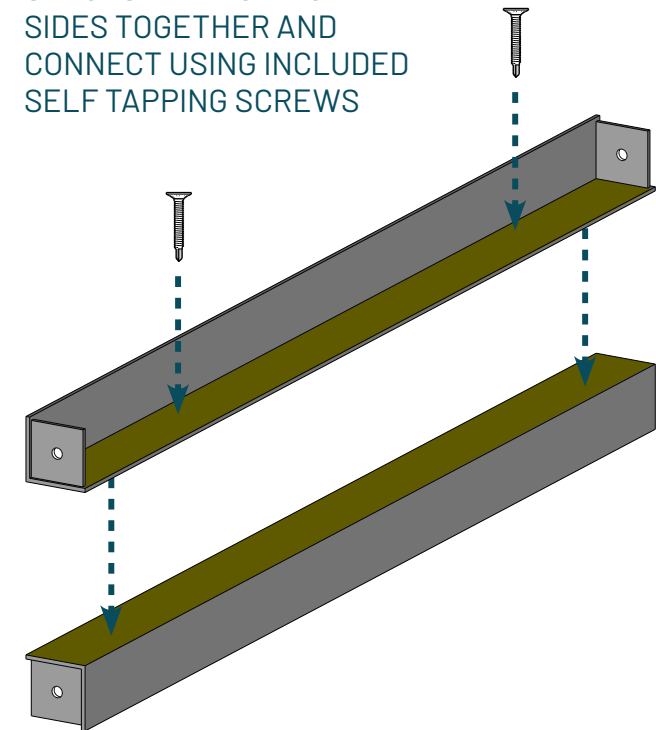
# Frontside View Fireplace *Natural Gas*

## OPTIONAL SINGLE SIDE VIEW

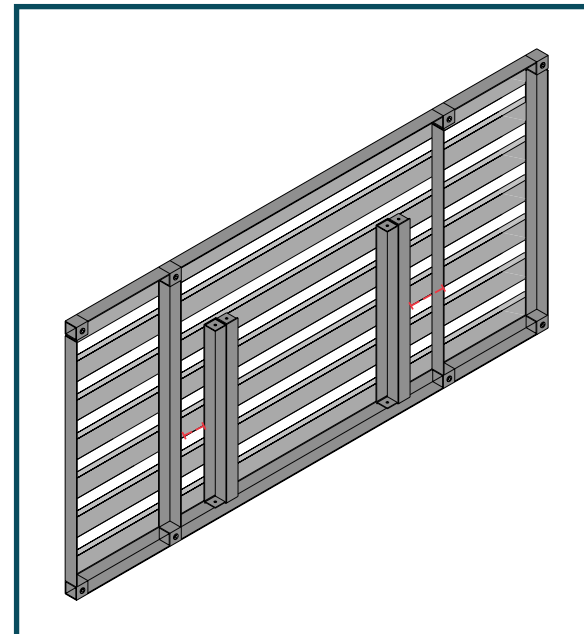
FOLLOW STEPS ON PAGE 52 - 55



ASSEMBLE 2 CONNECTING STRUTS BY ALIGNING FLAT SIDES TOGETHER AND CONNECT USING INCLUDED SELF TAPPING SCREWS



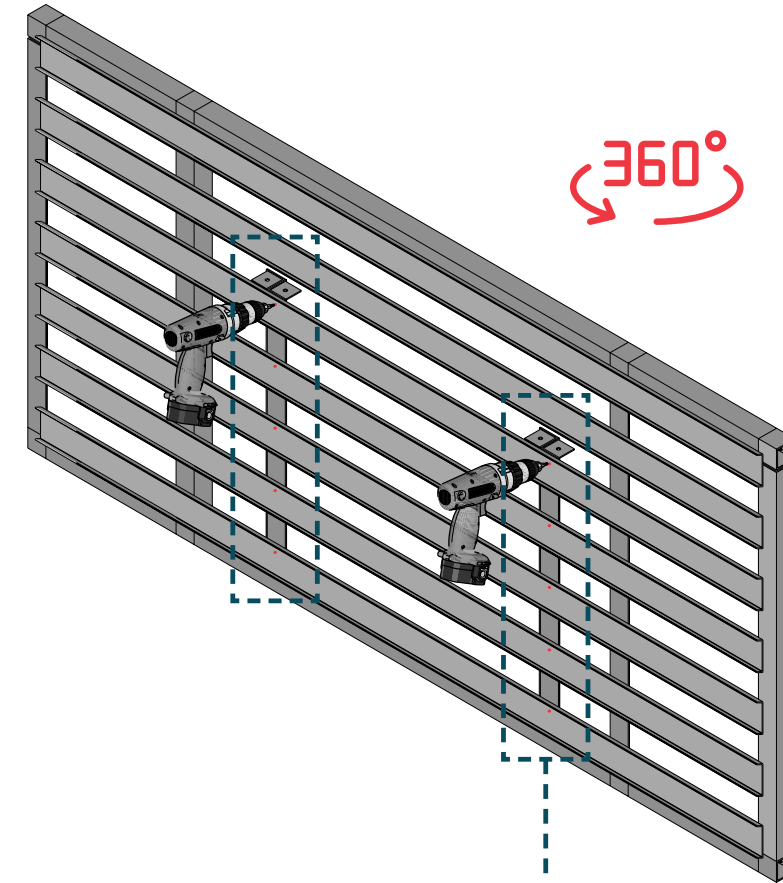
Once completed, there will be 2 mounting sides to allow for attachment to cabinet and for interior rail cut-out.



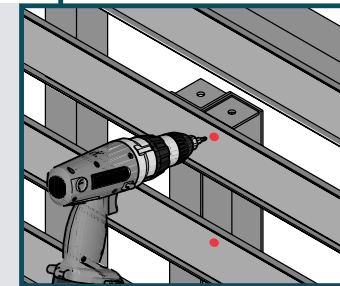
**NOTE:**  
Mounting position will be top of rail #5 and 6-8" from each end.

# Frontside View Gas Fireplace *Natural Gas*

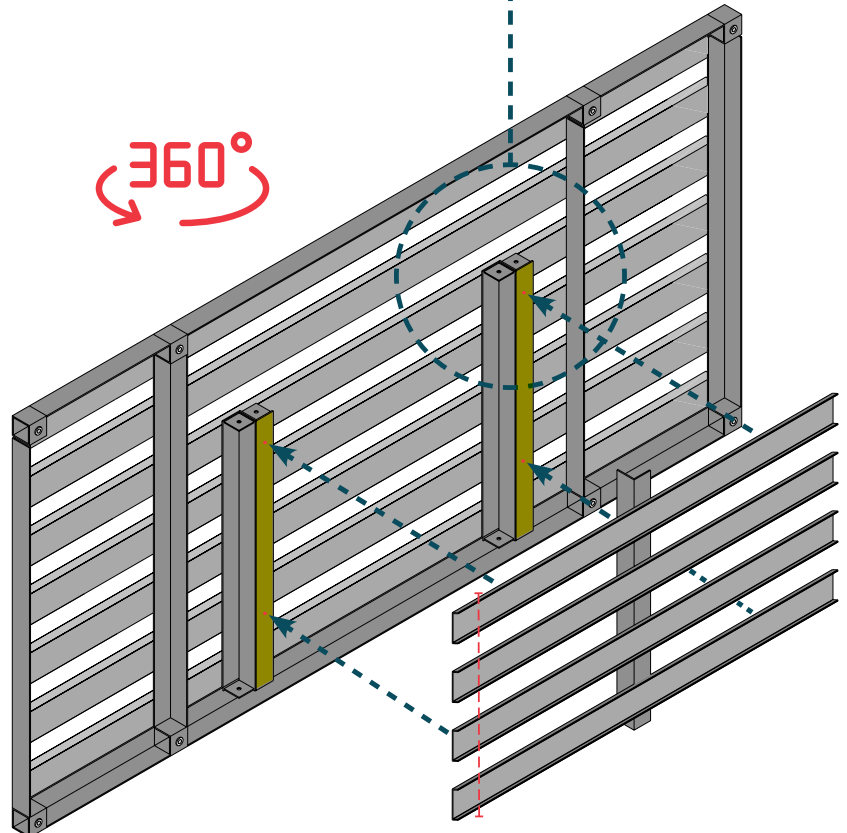
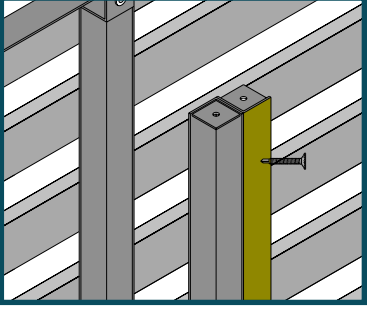
## OPTIONAL SINGLE SIDE VIEW (CONTINUED)



**NOTE:**  
Attach connecting strut bracket from the exterior side of back panel. Use included self tapping screws and position under top bend in rail.



**NOTE:**  
Cut-out will be attached using the interior flat side of connecting strut bracket and the included self tapping screws.

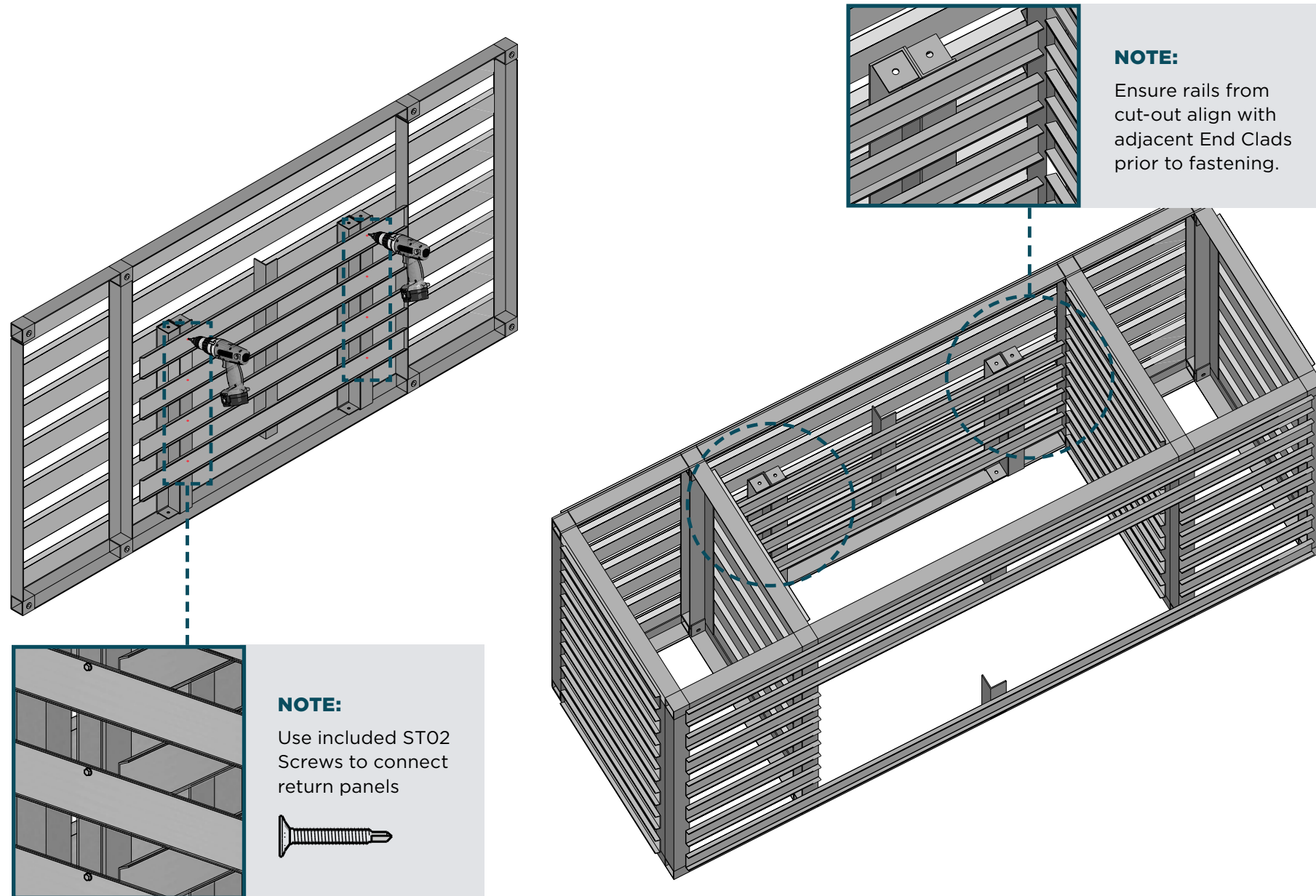


PRIOR TO ATTACHING CUT-OUT REMOVE 1" FROM EITHER END TO ALLOW FOR CLEARANCE



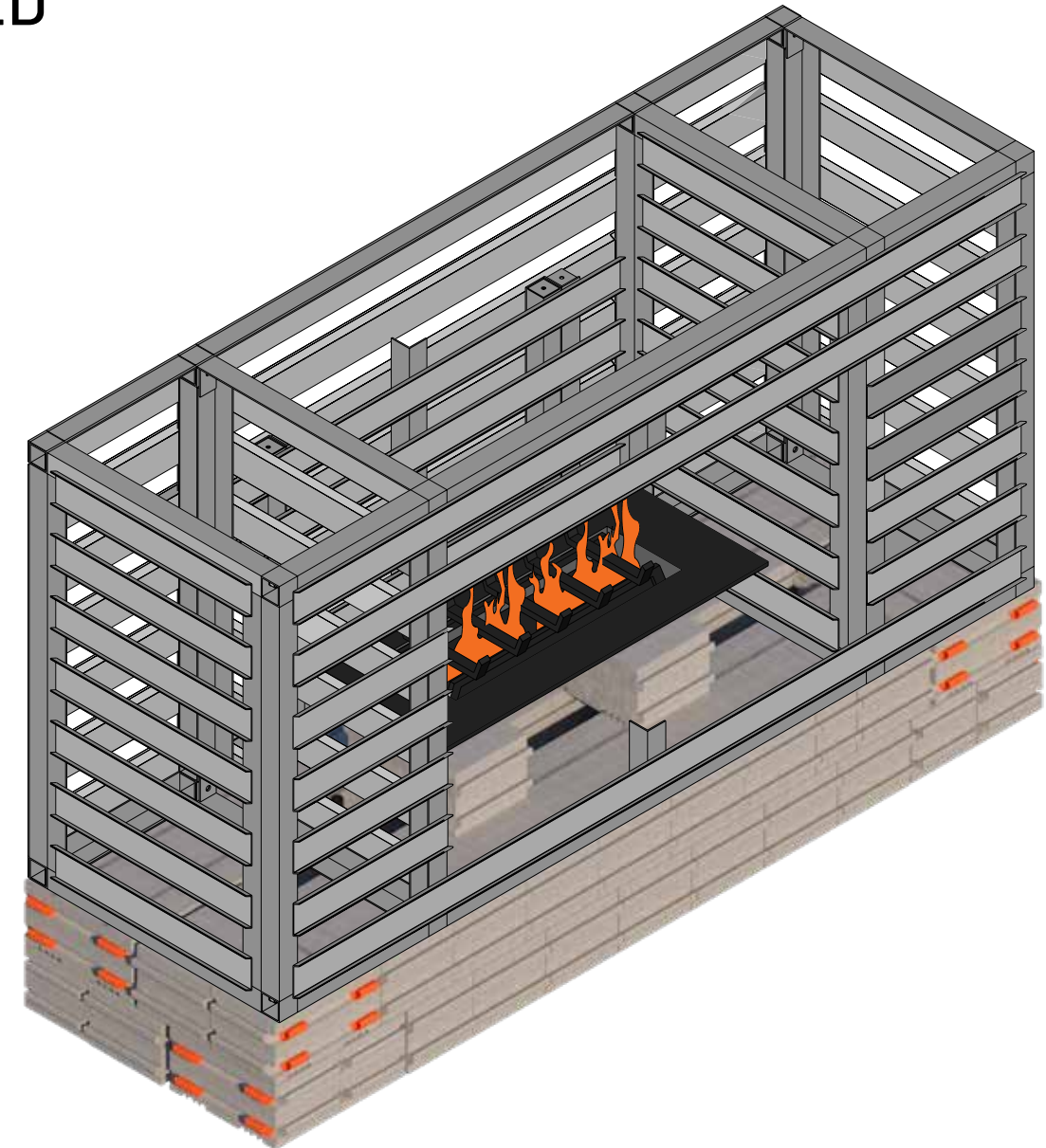
## Frontside View Gas Fireplace *Natural Gas*

### OPTIONAL SINGLE SIDE VIEW (CONTINUED)



## Frontside View Fireplace *Natural Gas*

### ASSEMBLED

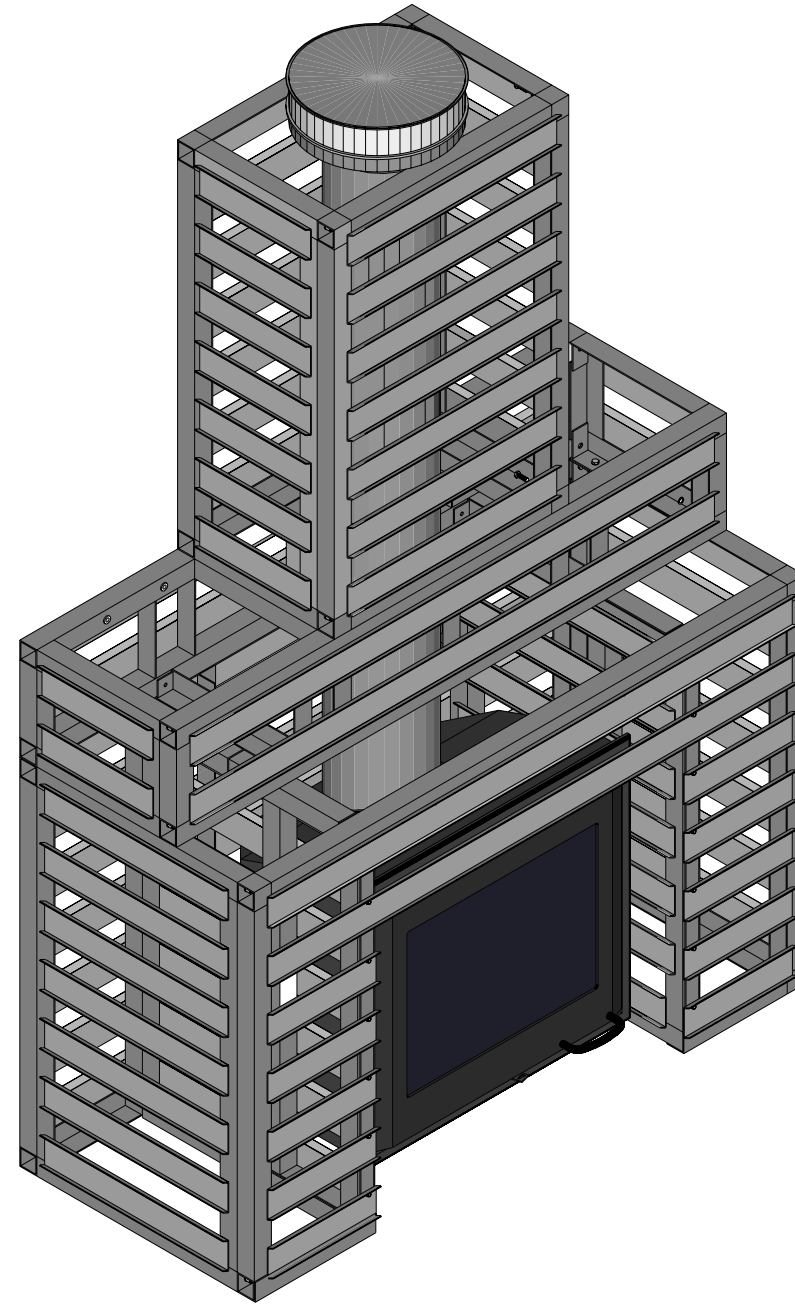


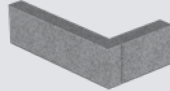
## 36" Fireplace Module Components

### WOODBURNING

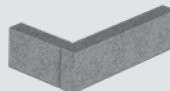
#### U-CARA MODULAR SYSTEM

- 1 Standard Chimney *UL-FIR-CH*
- 1 Standard Mantle *UL-FIR-M*
- 1 Return Panel Set *UL-FIR-RTN*
- 1 Base Cabinet *UL-BC*
- 2 End Clads *UL-ECK*

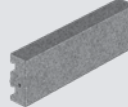




RIGHT CORNER PANEL SET



LEFT CORNER PANEL SET



STANDARD PANEL

### U-CARA FACIA PANELS

Standard Panels  
**26**

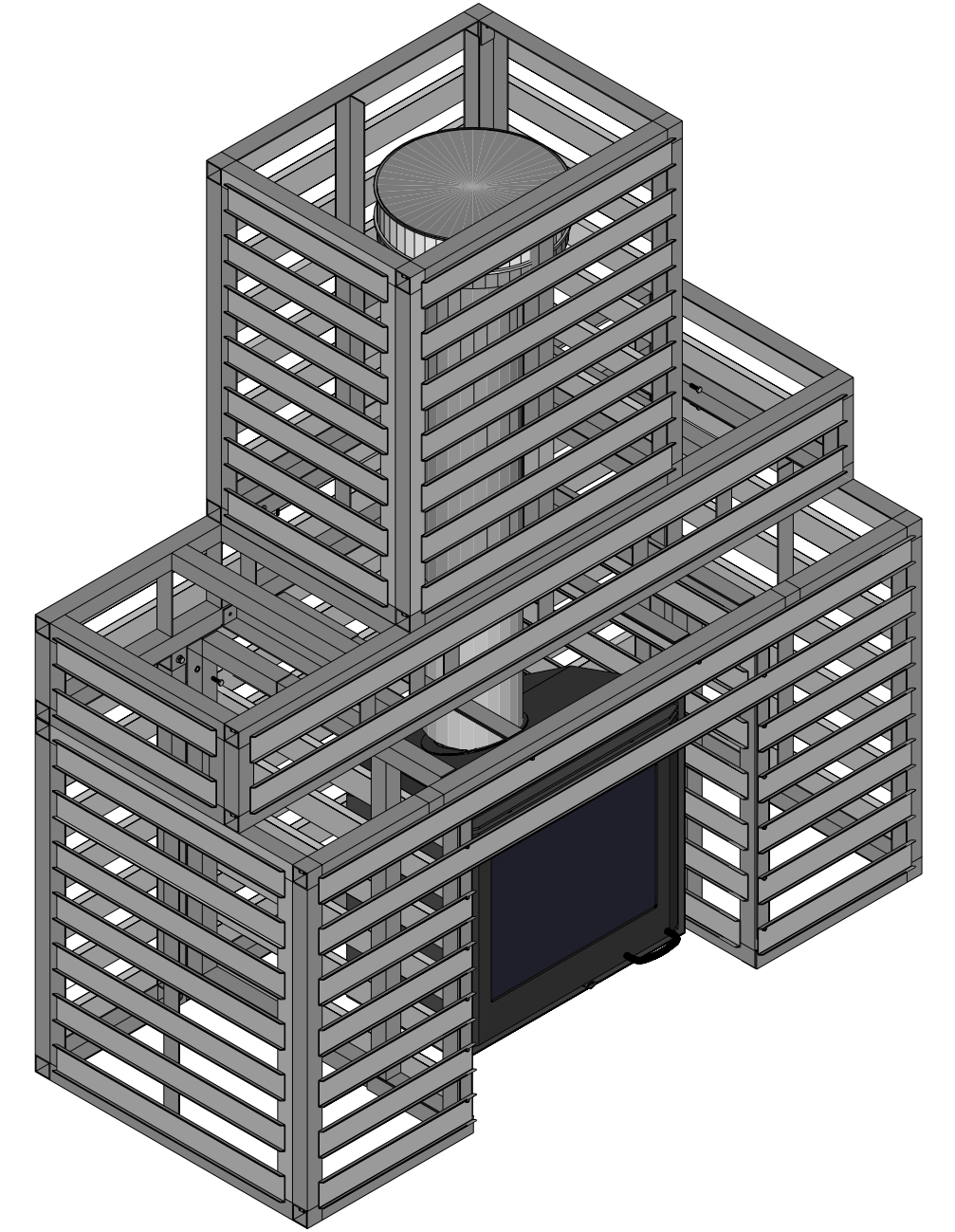
Corner Sets  
**74**

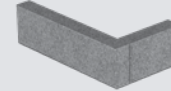
## 42" Fireplace Module Components

### WOODBURNING

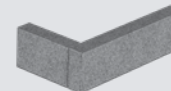
#### U-CARA MODULAR SYSTEM

- 1 Fireplace Module *UL-FIR*
- 2 End Clad Oversized *UL-ECK-OS*
- 1 Return Panel *UL-FIR-RTN-OS*
- 1 Wide Mantle *UL-FIR-MW*
- 1 Wide Chimney *UL-FIR-CHW*

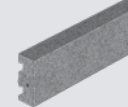




RIGHT CORNER PANEL SET



LEFT CORNER PANEL SET



STANDARD PANEL

### U-CARA FACIA PANELS

Standard Panels  
**71**

Corner Sets  
**72**

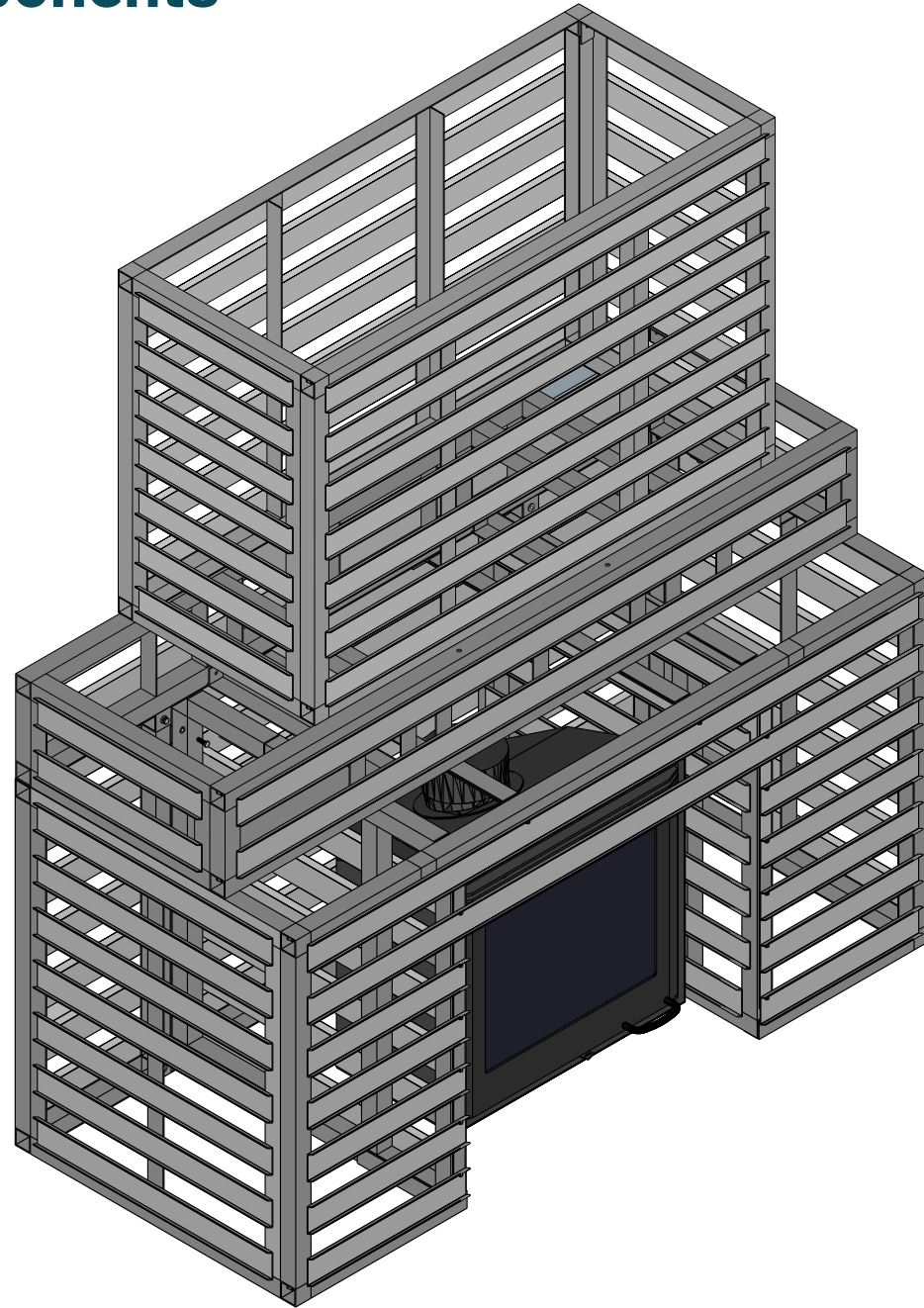


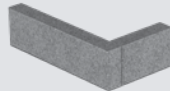
# 42" Fireplace Module Components

## TV MOUNT

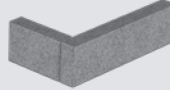
### U-CARA MODULAR SYSTEM

- 1 Fireplace Module *UL-FIR*
- 2 End Clad Oversized *UL-ECK-OS*
- 1 Return Panel *UL-FIR-RTN-OS*
- 1 Wide Mantle *UL-FIR-MW*
- 1 Base Cabinet *UL-BC*
- 2 End Clads *UL-ECK*






RIGHT CORNER PANEL SET



LEFT CORNER PANEL SET



STANDARD PANEL

### U-CARA FACIA PANELS

Standard Panels  
**92**

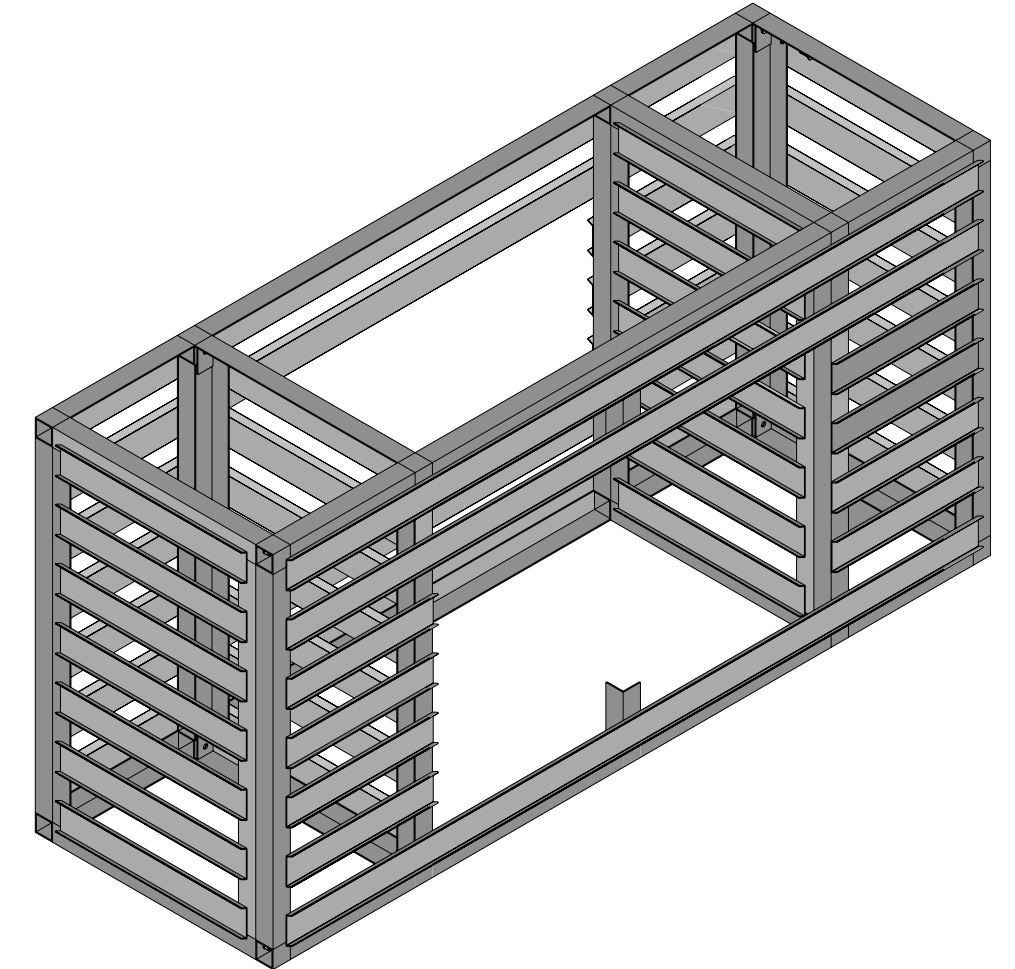
Corner Sets  
**72**

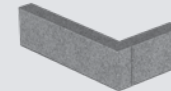
# Standard See-Thru Fireplace Module Components

## NATURAL GAS

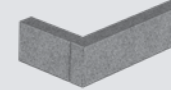
### U-CARA MODULAR SYSTEM

- 1 Fireplace Module- UL- FIR
- 4 End Clads- UL- ECK

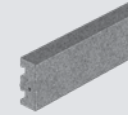




RIGHT CORNER PANEL SET



LEFT CORNER PANEL SET



STANDARD PANEL

### U-CARA FACIA PANELS

Standard Panels  
**18**

Corner Sets  
**44**

The logo for UNILOCK, featuring a stylized red 'U' icon followed by the word 'UNILOCK' in a bold, red, sans-serif font. The background of the entire page is a light gray grid with faint, overlapping line drawings of interlocking concrete panels.

**UNILOCK<sup>®</sup>**

©2022 HENGESTONE HOLDINGS, INC.  
U-CARA SYSTEM OF CONCRETE BACKERS  
CLAD WITH CONCRETE FASCIA PANELS  
IS PROTECTED UNDER US PAT. 9,453,341  
(INTERNATIONAL PATENTS PENDING)  
U-CARA MODULAR SYSTEMS-PATENT  
PENDING-GRILLNETICS, FORT COLLINS, CO.

**1 800-UNILOCK | UNILOCK.COM**